



FLANGE TOOL INNOVATION

PRODUCT DATA SHEET

FA4TM MECHANICAL LINEAR AND ROTATIONAL FLANGE ALIGNMENT TOOL

ALIGNING FORCE:
With 68N·m (50ft·lb) of torque applied:
4T (40kN)

TOOL WEIGHT: 8.6kg (19.0lb)

KIT COMPONENTS

- 1 x FA4TM Tool
- 1 x 68N·m (50ft·lb) Torque Wrench
- 1 x 22mm Socket
- 1 x Ratchet Strap
- 1 x Instruction Manual
- 1 x Carry-Case

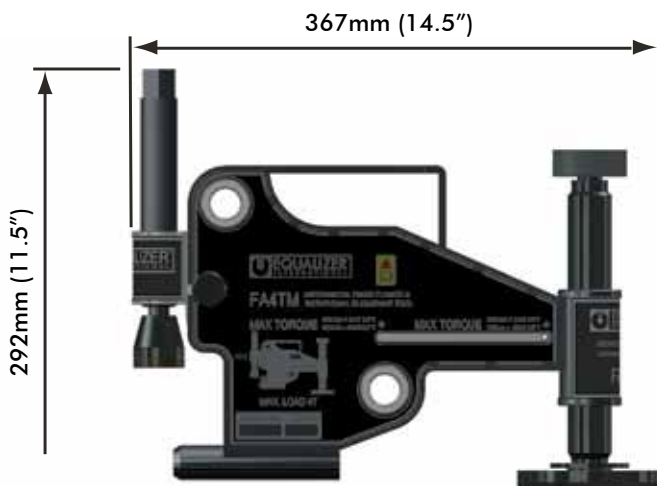
Product Code: FA4TMSTD



WEIGHTS AND DIMENSIONS

Tool Weight 8.6kg (19.0lb)
Case Weight 2.5kg (5.5lb)
Gross Weight 12.2kg (26.9lb)

Carry-Case Dimensions:
600 x 370 x 200mm
(23.6"x14.6"x7.9")



Hi-Press Hydraulics Ltd
Riverside Works,
Forge Road, Whaley Bridge,
High Peak, SK23 7HY
T: 01663 735089
Sales@hi-press.co.uk

Hi-Press Hydraulics Ltd
Unit 2, Hall House Ind Est,
New Hutton, Kendal,
Cumbria, LA8 0AH
T: 01539 734005
Cumbria@hi-press.co.uk

www.hi-press.co.uk

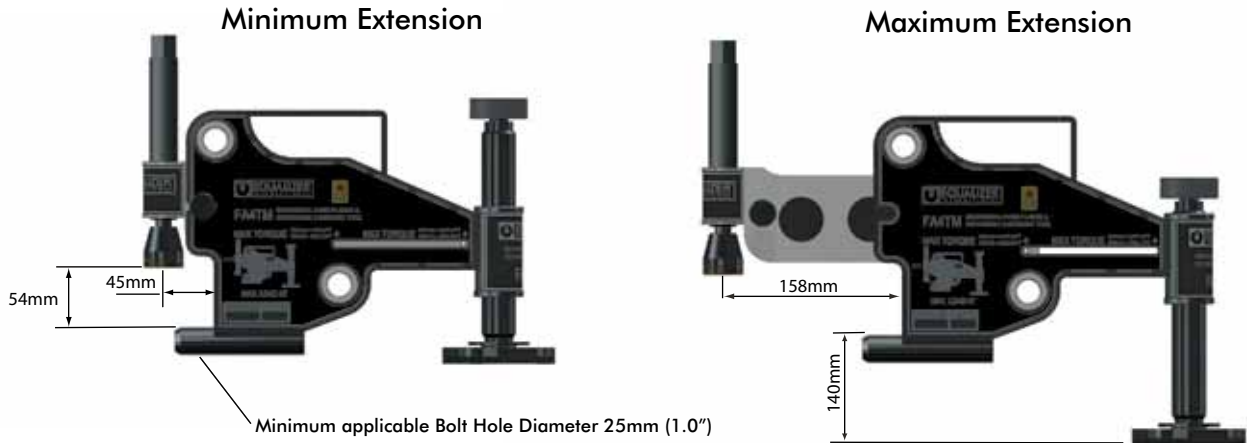
www.hi-press.co.uk/equalizer

FA4™

MECHANICAL LINEAR AND ROTATIONAL
FLANGE ALIGNMENT TOOL



FLANGE TOOL INNOVATION



RANGE OF APPLICATION

ASME	1/2"	3/4"	1"	1 1/4"	1 1/2"	2"	2 1/2"	3"	3 1/2"	4"	5"	6"	8"	10"	12"	14"
150#						FA1TM	FA1TM	FA1TM	FA1TM	FA1TM	FA1TM	FA1TM	FA1TM	FA4TM	FA4TM	FA4TM
300#					FA1TM	FA1TM	FA1TM	FA1TM	FA1TM	FA1TM	FA1TM	FA1TM	FA4TM	FA4TM	FA4TM	FA4TM
400#						FA1TM	FA1TM	FA1TM	FA4TM	FA4TM	FA4TM	FA4TM	FA4TM	FA4TM	FA9TE	FA9TE
600#					FA1TM	FA1TM	FA1TM	FA1TM	FA4TM	FA4TM	FA4TM	FA4TM	FA4TM	FA9TE	FA9TE	FA9TE
900#	FA1TM	FA1TM	FA4TM	FA4TM	FA4TM	FA4TM	FA4TM	FA4TM		FA4TM	FA4TM	FA4TM	FA9TE	FA9TE	FA9TE	FA9TE
1500#	FA1TM	FA1TM	FA1TM	FA4TM	FA4TM	FA4TM	FA4TM	FA4TM			FA9TE	FA9TE	FA9TE	FA9TE	FA9TE	FA9TE
2500#	FA1TM	FA1TM	FA4TM	FA4TM	FA4TM	FA4TM	FA4TM	FA9TE		FA9TE	FA9TE	FA9TE	FA9TE	FA9TE	FA9TE	

ASME	16"	18"	20"	24"	26"	28"	30"	32"	34"	36"	38"	40"	42"	44"	46"	48"
150#	FA4TM	FA4TM	FA4TM	FA4TM	FA4TM	FA4TM	FA4TM	FA4TM	FA4TM	FA9TE	FA9TE	FA9TE	FA9TE	FA9TE	FA9TE	FA9TE
300#	FA9TE	FA9TE	FA9TE	FA9TE	FA4TM	FA4TM	FA4TM	FA4TM	FA4TM	FA4TM	FA9TE	FA9TE	FA9TE	FA9TE	FA9TE	FA9TE
400#	FA9TE	FA9TE	FA9TE	FA9TE	FA4TM	FA4TM	FA4TM	FA4TM	FA4TM	FA4TM	FA9TE	FA9TE	FA9TE	FA9TE	FA9TE	FA9TE
600#	FA9TE	FA9TE	FA9TE	FA9TE	FA4TM	FA4TM	FA4TM	FA4TM	FA4TM	FA4TM	FA9TE	FA9TE	FA9TE	FA9TE	FA9TE	FA9TE
900#	FA9TE	FA9TE	FA9TE	FA9TE	FA9TE	FA9TE	FA9TE									
1500#	FA9TE	FA9TE	FA9TE													
2500#																

For other flange types, please contact Equalizer International.



Hi-Press Hydraulics Ltd
Riverside Works,
Forge Road, Whaley Bridge,
High Peak, SK23 7HY
T: 01663 735089
Sales@hi-press.co.uk

Hi-Press Hydraulics Ltd
Unit 2, Hall House Ind Est,
New Hutton, Kendal,
Cumbria, LA8 0AH
T: 01539 734005
Cumbria@hi-press.co.uk

www.hi-press.co.uk

www.hi-press.co.uk/equalizer