



FLANGE TOOL INNOVATION

PRODUCT DATA SHEET



HP350S
HP550S
HP1000S

HYDRAULIC SINGLE-PORT SEALED HAND-PUMP

MAX PRESSURE RATING:

1st Stage: 13.8 bar (197 psi)

2nd Stage: 700 bar (10 000 psi)

TOOL DESCRIPTION

The Hydraulic Single-Port Hand-Pump range is tailored for use with Equalizer International hydraulic equipment. Its output is regulated to 700 bar (10 000 psi) and is delivered from a single threaded 3/8" NPT output port. The pumps can be used with any 700 bar (10 000 psi) rated hydraulic equipment within their oil capacity specification. The diaphragm oil-reservoir design means that, unlike conventional units, the hand-pumps are operable at all angles and are highly resistant to accidental spillage of hydraulic fluid. For further details please request or download an instruction manual.

| | STAGE | HP350S | HP550S | HP1000S |
|------------------------------|-------|----------------------------------|----------------------------------|----------------------------------|
| PUMP TYPE | | TWO SPEED | TWO SPEED | TWO SPEED |
| PRESSURE RATING | 1st | 13.8 bar (197 psi) | 13.8 bar (197 psi) | 13.8 bar (197 psi) |
| | 2nd | 700 bar (10 000 psi) | 700 bar (10 000 psi) | 700 bar (10 000 psi) |
| NOMINAL OIL CAPACITY | | 350 cc (21.4 in ³) | 550 cc (33.6 in ³) | 1000 cc (61.0 in ³) |
| USABLE OIL CAPACITY | | 300 cc (18.3 in ³) | 580 cc (35.4 in ³) | 1110 cc (67.7 in ³) |
| OIL VOLUME PER STROKE | 1st | 3.62 cc (0.221 in ³) | 3.62 cc (0.221 in ³) | 3.62 cc (0.221 in ³) |
| | 2nd | 0.77 cc (0.047 in ³) | 0.77 cc (0.047 in ³) | 0.77 cc (0.047 in ³) |
| MAX HANDLE EFFORT | | 33 kgf (72.75 lbf) | 25 kgf (55.12 lbf) | 21 kgf (46.30 lbf) |
| PISTON STROKE | | 18 mm (0.71") | 18 mm (0.71") | 18 mm (0.71") |



Hi-Press Hydraulics Ltd
Riverside Works,
Forge Road, Whaley Bridge,
High Peak, SK23 7HY
T: 01663 735089
Sales@hi-press.co.uk

Hi-Press Hydraulics Ltd
Unit 2, Hall House Ind Est,
New Hutton, Kendal,
Cumbria, LA8 0AH
T: 01539 734005
Cumbria@hi-press.co.uk

www.hi-press.co.uk

www.hi-press.co.uk/equalizer

HP350S | HP550S | HP1000S

HYDRAULIC SINGLE-PORT SEALED HAND-PUMP



FLANGE TOOL INNOVATION

KIT COMPONENTS

HP350S

- 1 x HP350S Pump Unit
- 1 x 700 bar (10 000 psi) Gauge
- 1 x 3/8" Port Gauge Adaptor
- 1 x Instruction Manual
- 1 x Cardboard Packaging

Packaging Dimensions:
250 mm x 180 mm x 600 mm
(9.84" x 7.09" x 23.62")

Product Code: HP350SMIN

HP550S

- 1 x HP550S Pump Unit
- 1 x 700 bar (10 000 psi) Gauge
- 1 x 3/8" Port Gauge Adaptor
- 1 x Instruction Manual
- 1 x Cardboard Packaging

Packaging Dimensions:
250 mm x 180 mm x 700 mm
(9.84" x 7.09" x 27.56")

Product Code: HP550SMIN

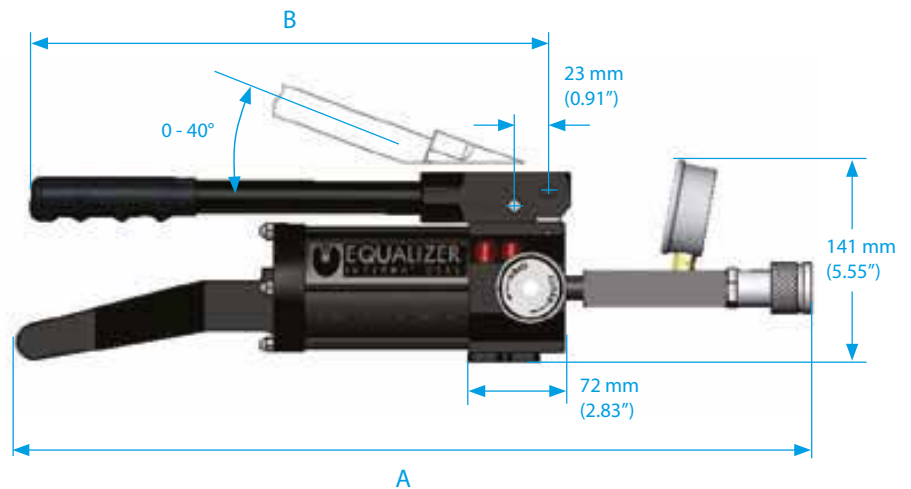
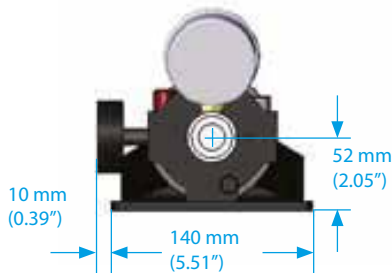
HP1000S

- 1 x HP1000S Pump Unit
- 1 x 700 bar (10 000 psi) Gauge
- 1 x 3/8" Port Gauge Adaptor
- 1 x Instruction Manual
- 1 x Cardboard Packaging

Packaging Dimensions:
250 mm x 180 mm x 900 mm
(9.84" x 7.09" x 35.43")

Product Code: HP1000SMIN

WEIGHTS AND DIMENSIONS



| | HP350S | HP550S | HP1000S |
|---------------------------|------------------|------------------|------------------|
| OVERALL LENGTH (A) | 554 mm (21.81") | 643 mm (25.31") | 867 mm (34.13") |
| HANDLE LENGTH (B) | 360 mm (14.17") | 490 mm (19.29") | 537 mm (21.14") |
| PUMP WEIGHT | 4.4 kg (9.7 lb) | 5.1 kg (11.2 lb) | 6.1 kg (13.5 lb) |
| GROSS KIT WEIGHT | 4.9 kg (10.8 lb) | 5.9 kg (13.0 lb) | 7.1 kg (15.7 lb) |



Hi-Press Hydraulics Ltd
Riverside Works,
Forge Road, Whaley Bridge,
High Peak, SK23 7HY
T: 01663 735089
Sales@hi-press.co.uk

Hi-Press Hydraulics Ltd
Unit 2, Hall House Ind Est,
New Hutton, Kendal,
Cumbria, LA8 0AH
T: 01539 734005
Cumbria@hi-press.co.uk

www.hi-press.co.uk

www.hi-press.co.uk/equalizer