



FLANGE TOOL INNOVATION

## PRODUCT DATA SHEET

HP350SD  
HP550SD  
HP1000SD

### HYDRAULIC DOUBLE-ACTING SEALED HAND-PUMP

MAX PRESSURE RATING:

1st Stage: 13.8 bar (197 psi)

2nd Stage: 700 bar (10 000 psi)

### TOOL DESCRIPTION

The Hydraulic Double-Acting Hand-Pump range has an output regulated to 700 bar (10 000 psi) delivered from a pair of output ports, each threaded 3/8" NPT. The pumps can be used with any 700 bar (10 000 psi) rated double-acting hydraulic equipment within their oil capacity specification. The diaphragm oil-reservoir design means that, unlike conventional units, the hand-pumps are operable at all angles and are highly resistant to accidental spillage of hydraulic fluid. For further details please request or download an instruction manual.

	STAGE	HP350SD	HP550SD	HP1000SD
<b>PUMP TYPE</b>		TWO SPEED	TWO SPEED	TWO SPEED
<b>PRESSURE RATING</b>	1st	13.8 bar (197 psi)	13.8 bar (197 psi)	13.8 bar (197 psi)
	2nd	700 bar (10 000 psi)	700 bar (10 000 psi)	700 bar (10 000 psi)
<b>NOMINAL OIL CAPACITY</b>		350 cc (21.4 in <sup>3</sup> )	550 cc (33.6 in <sup>3</sup> )	1000 cc (61.0 in <sup>3</sup> )
<b>USABLE OIL CAPACITY</b>		300 cc (18.3 in <sup>3</sup> )	580 cc (35.4 in <sup>3</sup> )	1110 cc (67.7 in <sup>3</sup> )
<b>OIL VOLUME PER STROKE</b>	1st	3.62 cc (0.221 in <sup>3</sup> )	3.62 cc (0.221 in <sup>3</sup> )	3.62 cc (0.221 in <sup>3</sup> )
	2nd	0.77 cc (0.047 in <sup>3</sup> )	0.77 cc (0.047 in <sup>3</sup> )	0.77 cc (0.047 in <sup>3</sup> )
<b>MAX HANDLE EFFORT</b>		33 kgf (72.75 lbf)	25 kgf (55.12 lbf)	21 kgf (46.30 lbf)
<b>PISTON STROKE</b>		18 mm (0.71")	18 mm (0.71")	18 mm (0.71")



Hi-Press Hydraulics Ltd  
Riverside Works,  
Forge Road, Whaley Bridge,  
High Peak, SK23 7HY  
T: 01663 735089  
Sales@hi-press.co.uk

Hi-Press Hydraulics Ltd  
Unit 2, Hall House Ind Est,  
New Hutton, Kendal,  
Cumbria, LA8 0AH  
T: 01539 734005  
Cumbria@hi-press.co.uk

[www.hi-press.co.uk](http://www.hi-press.co.uk)

[www.hi-press.co.uk/equalizer](http://www.hi-press.co.uk/equalizer)

# HP350SD | HP550SD | HP1000SD

HYDRAULIC DOUBLE-ACTING SEALED HAND-PUMP



FLANGE TOOL INNOVATION

## KIT COMPONENTS

### HP350SD

- 1 x HP350SD Pump Unit
- 1 x 700 bar (10 000 psi) Gauge
- 1x 3/8" Port Gauge Adaptor
- 1 x Instruction Manual
- 1 x Cardboard Packaging

Packaging Dimensions:  
250 mm x 180 mm x 600 mm  
(9.84" x 7.09" x 23.62")

Product Code: HP350SDMIN

### HP550SD

- 1 x HP550SD Pump Unit
- 1 x 700 bar (10 000 psi) Gauge
- 1 x 3/8" Port Gauge Adaptor
- 1 x Instruction Manual
- 1 x Cardboard Packaging

Packaging Dimensions:  
250 mm x 180 mm x 700 mm  
(9.84" x 7.09" x 27.56")

Product Code: HP550SDMIN

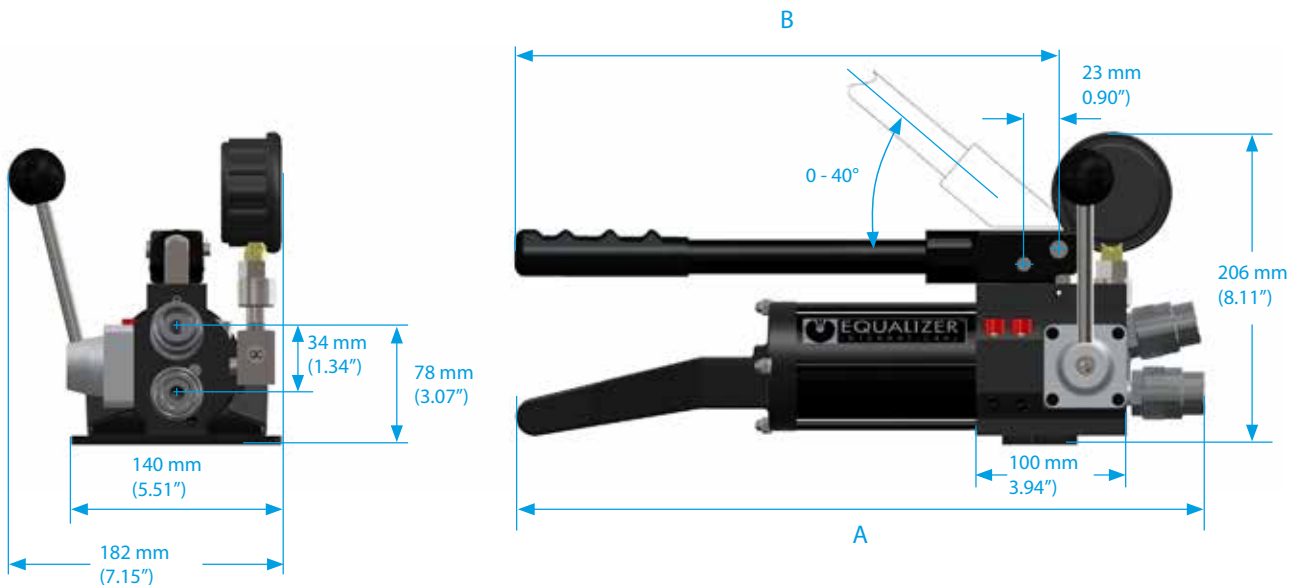
### HP1000SD

- 1 x HP1000SD Pump Unit
- 1 x 700 bar (10 000 psi) Gauge
- 1 x 3/8" Port Gauge Adaptor
- 1 x Instruction Manual
- 1 x Cardboard Packaging

Packaging Dimensions:  
250 mm x 180 mm x 900 mm  
(9.84" x 7.09" x 35.43")

Product Code: HP1000SDMIN

## WEIGHTS AND DIMENSIONS



	HP350SD	HP550SD	HP1000SD
<b>OVERALL LENGTH (A)</b>	456 mm (17.95")	454 mm (17.87")	769 mm (30.28")
<b>HANDLE LENGTH (B)</b>	360 mm (14.17")	490 mm (19.29")	537 mm (21.14")
<b>PUMP WEIGHT</b>	5.3 kg (11.7 lb)	5.7 kg (12.6 lb)	5.9 kg (13.0 lb)
<b>GROSS KIT WEIGHT</b>	5.7 kg (12.6 lb)	6.0 kg (13.2 lb)	6.3 kg (13.9 lb)



Hi-Press Hydraulics Ltd  
Riverside Works,  
Forge Road, Whaley Bridge,  
High Peak, SK23 7HY  
T: 01663 735089  
Sales@hi-press.co.uk

Hi-Press Hydraulics Ltd  
Unit 2, Hall House Ind Est,  
New Hutton, Kendal,  
Cumbria, LA8 0AH  
T: 01539 734005  
Cumbria@hi-press.co.uk

[www.hi-press.co.uk](http://www.hi-press.co.uk)

[www.hi-press.co.uk/equalizer](http://www.hi-press.co.uk/equalizer)