



FLANGE TOOL INNOVATION

PRODUCT DATA SHEET

MG7™

MINI-GAP FLANGE SPREADER

SPREADING FORCE: 6.8 T (68 kN) per tool

It is recommended that tools are used in pairs giving:
13.6 T (136 kN)

SPREADING DISTANCE: 2.0 mm - 27.0 mm (0.08" - 1.06")

TOOL WEIGHT: 5.0 kg (11.02 lb)

KIT CONTENTS

- 1 x MG7™ Tool
- 2 x Spreading Bar
- 1 x Instruction Manual
- 1 x Carry Case

Product Code: MG7™MSTD



WEIGHTS AND DIMENSIONS

Tool Weight: 5.0 kg (11.02 lb)

Gross Kit Weight: 5.5 kg (12.13 lb)

Carry-Case Dimensions:

360 mm x 300 mm x 90 mm
(14.2" x 11.8" x 3.5")



Hi-Press Hydraulics Ltd
Riverside Works,
Forge Road, Whaley Bridge,
High Peak, SK23 7HY
T: 01663 735089
Sales@hi-press.co.uk

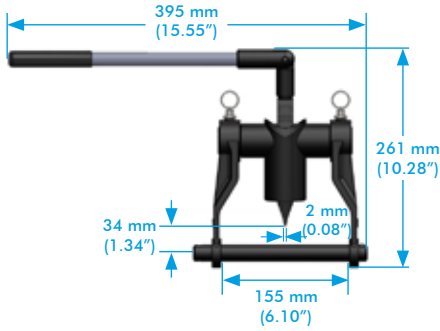
Hi-Press Hydraulics Ltd
Unit 2, Hall House Ind Est,
New Hutton, Kendal,
Cumbria, LA8 0AH
T: 01539 734005
Cumbria@hi-press.co.uk

www.hi-press.co.uk

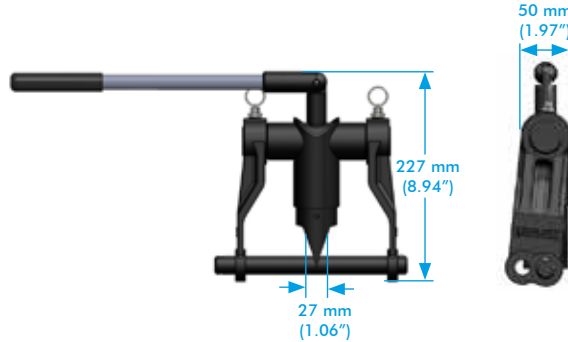
www.hi-press.co.uk/equalizer

Large Ø20 mm (0.79") spreading bar

TOOL CONFIGURATION 1
Retracted wedge

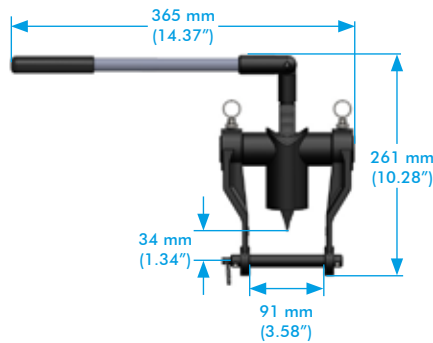


TOOL CONFIGURATION 1
Advanced wedge

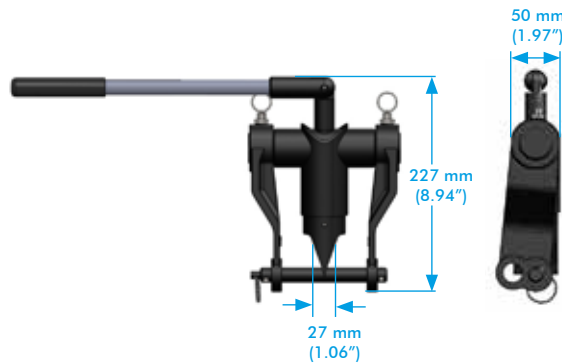


Small Ø16 mm (0.63") spreading bar

TOOL CONFIGURATION 2
Retracted wedge



TOOL CONFIGURATION 2
Advanced wedge



RANGE OF APPLICATION

By flange type, class and diameter

ASME B16.5 Weld Neck
2" through 48" for the flange class 150 3/4" through 48" for the flange class 300
ASME B16.5 Socket Welded
2" through 3" for the flange class 150 3/4" through 3" for the flange class 300

For a detailed range of application please request the MG7TM Operator Instruction Manual.

BS10
Class H: 1/2" through 24" Class J: 1/2" through 24" Class K: 1/2" through 20" Class R: 1/2" through 20" Class S: 1/2" through 16" Class T: 1/2" through 13"

ANSI Reducing Flange Including Threaded and Slip On Flange
2" through 48" for the flange class 150 3/4" through 48" for the flange class 300

ANSI Orifice Flange Including Weld Neck, Threaded and Slip On Flange
2" through 48" for the flange class 150 3/4" through 48" for the flange class 300