



EQUALIZERTM
INTERNATIONAL

FLANGE TOOL INNOVATION

PRODUCT DATA SHEET

NS12TI

INTEGRAL HYDRAULIC NUT SPLITTER

RANGE OF APPLICATION FOR FLANGE NUTS:

HEX NUT A/F: 19.0 mm - 30.0 mm (0.75" - 1.18")
 H: Max 20.0 mm (0.79")

TOOL WEIGHT:

5.8 kg (12.8 lb)

KIT CONTENTS

- 1 x NS12TI Tool
- 1 x Spare Cutting Tip
- 1 x Spare Tip Retention Screw
- 1 x Spare Alignment Screw
- 1 x Set of Hex Keys
- 1 x Safety Lanyard
- 1 x Instruction Manual
- 1 x Carry Case

Product Code: NS12TISTD



WEIGHTS AND DIMENSIONS

Tool Weight: 5.8 kg (12.8 lb)
Gross Kit Weight: 9.0 kg (20.0 lb)

Carry Case Dimensions:
580 mm x 350 mm x 180 mm
(22.8" x 13.8" x 7.1")



Hi-Press Hydraulics Ltd
Riverside Works,
Forge Road, Whaley Bridge,
High Peak, SK23 7HY
T: 01663 735089
Sales@hi-press.co.uk

Hi-Press Hydraulics Ltd
Unit 2, Hall House Ind Est,
New Hutton, Kendal,
Cumbria, LA8 0AH
T: 01539 734005
Cumbria@hi-press.co.uk

www.hi-press.co.uk

www.hi-press.co.uk/equalizer

NS12TI

INTEGRAL HYDRAULIC NUT SPLITTER



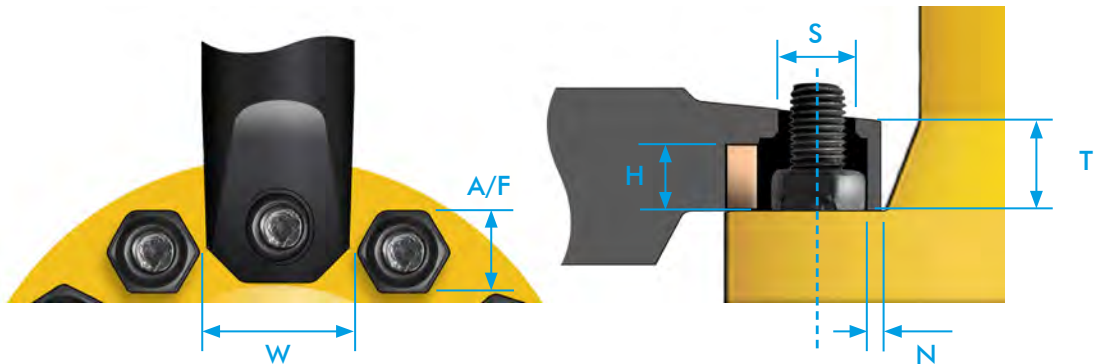
FLANGE TOOL INNOVATION

RANGE OF APPLICATION FOR FLANGE NUTS

NS TOOL	UNC HEAVY HEX STUD SIZE	UNC HEAVY NUT A/F SIZE	METRIC STUD SIZE	METRIC NUT A/F SIZE
NS12	1/2", 5/8"	0.88" to 1.06"	M12, M16, M20	19 mm to 30 mm

PLEASE REFER TO OUR WEBSITE www.equalizerinternational.com FOR INFORMATION ON THE COMPLETE EQUALIZER NUT SPLITTER RANGE

SPATIAL ENVELOPE



	DIMENSION	MEASURED FROM	MEASURED TO	MINIMUM	MAXIMUM
A/F	Across Flats	Nut Hex Flat	Nut Hex Flat	-	32 mm (1.26")
W	Clear Width	Side Obstruction	Side obstruction	53.5 mm (2.11")	-
S	Protruding Stud Diameter	Stud OD	Stud OD	-	24.5 mm (0.96")
H	Cutting Height	Flange Face	Top of Nut	-	18.0 mm (0.71")
N	Nose Clearance	Nut Flat	Frontal Obstruction	8.5 mm (0.33")	-
T	Nose Height	Flange Face	Top of Nose	26.5 mm (1.04")	



Hi-Press Hydraulics Ltd
Riverside Works,
Forge Road, Whaley Bridge,
High Peak, SK23 7HY
T: 01663 735089
Sales@hi-press.co.uk

Hi-Press Hydraulics Ltd
Unit 2, Hall House Ind Est,
New Hutton, Kendal,
Cumbria, LA8 0AH
T: 01539 734005
Cumbria@hi-press.co.uk

www.hi-press.co.uk

www.hi-press.co.uk/equalizer