



FLANGE TOOL INNOVATION

## PRODUCT DATA SHEET

# NS15TI

## INTEGRAL HYDRAULIC NUT SPLITTER

### RANGE OF APPLICATION FOR FLANGE NUTS:

HEX NUT A/F: 24.0 mm - 36.6 mm (0.94" - 1.44")  
H: Max 22.4 mm (0.88")

### TOOL WEIGHT:

6.3 kg (13.9 lb)

### KIT CONTENTS

- 1 x NS15TI Tool
- 1 x Spare Cutting Tip
- 1 x Spare Tip Retention Screw
- 1 x Spare Alignment Screw
- 1 x Set of Hex Keys
- 1 x Safety Lanyard
- 1 x Instruction Manual
- 1 x Carry-Case

Product Code: NS15TISTD



### WEIGHTS AND DIMENSIONS

Tool Weight: 6.3 kg (13.9 lb)  
Gross Kit Weight: 9.4 kg (20.7 lb)

Carry Case Dimensions:  
580 mm x 350 mm x 180 mm  
(22.8" x 13.8" x 7.1")



Hi-Press Hydraulics Ltd  
Riverside Works,  
Forge Road, Whaley Bridge,  
High Peak, SK23 7HY  
T: 01663 735089  
Sales@hi-press.co.uk

Hi-Press Hydraulics Ltd  
Unit 2, Hall House Ind Est,  
New Hutton, Kendal,  
Cumbria, LA8 0AH  
T: 01539 734005  
Cumbria@hi-press.co.uk

[www.hi-press.co.uk](http://www.hi-press.co.uk)

[www.hi-press.co.uk/equalizer](http://www.hi-press.co.uk/equalizer)

# NS15TI

INTEGRAL HYDRAULIC NUT SPLITTER



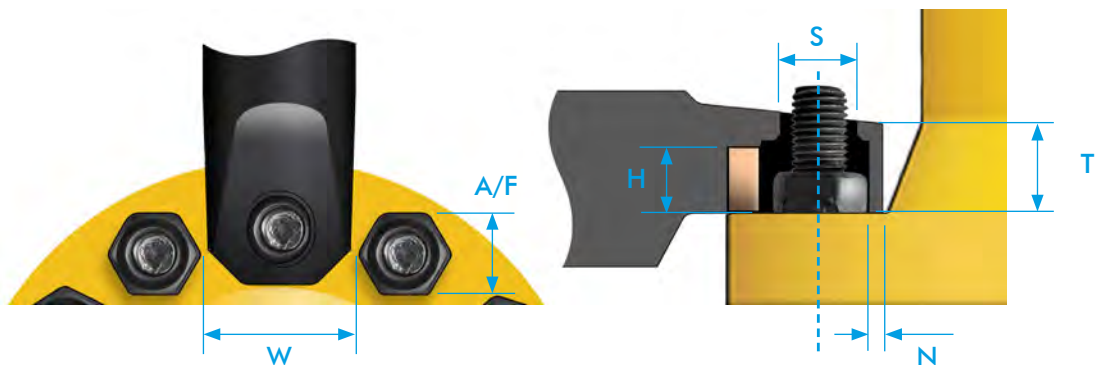
FLANGE TOOL INNOVATION

## RANGE OF APPLICATION FOR FLANGE NUTS

NS TOOL	UNC HEAVY HEX STUD SIZE	UNC HEAVY NUT A/F SIZE	METRIC STUD SIZE	METRIC NUT A/F SIZE
NS15	3/4", 7/8"	1.25" to 1.44"	M16, M20, M22	24 mm to 32 mm

PLEASE REFER TO OUR WEBSITE [www.equalizerinternational.com](http://www.equalizerinternational.com)  
FOR INFORMATION ON THE COMPLETE EQUALIZER NUT SPLITTER RANGE

## SPATIAL ENVELOPE



	DIMENSION	MEASURED FROM	MEASURED TO	MINIMUM	MAXIMUM
A/F	Across Flats	Nut Hex Flat	Nut Hex Flat	-	40 mm (1.57")
W	Clear Width	Side Obstruction	Side obstruction	57.5 mm (2.26")	-
S	Protruding Stud Diameter	Stud OD	Stud OD	-	26.5 mm (1.04")
H	Cutting Height	Flange Face	Top of Nut	-	25.0 mm (0.98")
N	Nose Clearance	Nut Flat	Frontal Obstruction	9.0 mm (0.35")	-
T	Nose Height	Flange Face	Top of Nose	32.0 mm (1.26")	



Hi-Press Hydraulics Ltd  
Riverside Works,  
Forge Road, Whaley Bridge,  
High Peak, SK23 7HY  
T: 01663 735089  
Sales@hi-press.co.uk

Hi-Press Hydraulics Ltd  
Unit 2, Hall House Ind Est,  
New Hutton, Kendal,  
Cumbria, LA8 0AH  
T: 01539 734005  
Cumbria@hi-press.co.uk

[www.hi-press.co.uk](http://www.hi-press.co.uk)

[www.hi-press.co.uk/equalizer](http://www.hi-press.co.uk/equalizer)