



FLANGE TOOL INNOVATION

## PRODUCT DATA SHEET

# NS36TE

## EXTERNAL HYDRAULIC NUT SPLITTER

### RANGE OF APPLICATION FOR FLANGE NUTS:

HEX NUT A/F: 50.0 mm - 65.0 mm (1.97" - 2.56")  
H: Max 42.0 mm (1.65")

### TOOL WEIGHT:

10.6 kg (23.4 lb)

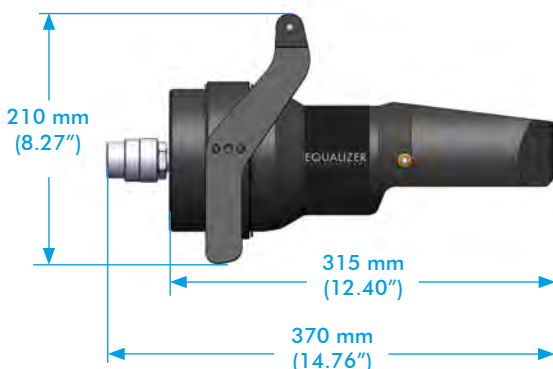
### KIT CONTENTS

- 1 x NS36TE Nut Splitter
- 1 x Spare Cutting Tip
- 1 x Spare Tip Retention Screw
- 1 x Spare Alignment Screw
- 1 x Set of Hex Keys
- 1 x Safety Lanyard
- 1 x Instruction Manual
- 1 x Carry Case

Product Code: NS36TEMIN



### WEIGHTS AND DIMENSIONS



Tool Weight: 10.6 kg (23.4 lb)  
Gross Weight: 13.6 kg (30.0 lb)

Carry Case Dimensions:  
580 mm x 350 mm x 200 mm  
(22.8" x 13.8" x 7.9")

Minimum Pump Oil Capacity:  
230 cc (14.04 in<sup>3</sup>)



Hi-Press Hydraulics Ltd  
Riverside Works,  
Forge Road, Whaley Bridge,  
High Peak, SK23 7HY  
T: 01663 735089  
Sales@hi-press.co.uk

Hi-Press Hydraulics Ltd  
Unit 2, Hall House Ind Est,  
New Hutton, Kendal,  
Cumbria, LA8 0AH  
T: 01539 734005  
Cumbria@hi-press.co.uk

[www.hi-press.co.uk](http://www.hi-press.co.uk)

[www.hi-press.co.uk/equalizer](http://www.hi-press.co.uk/equalizer)

# NS36TE

EXTERNAL HYDRAULIC NUT SPLITTER



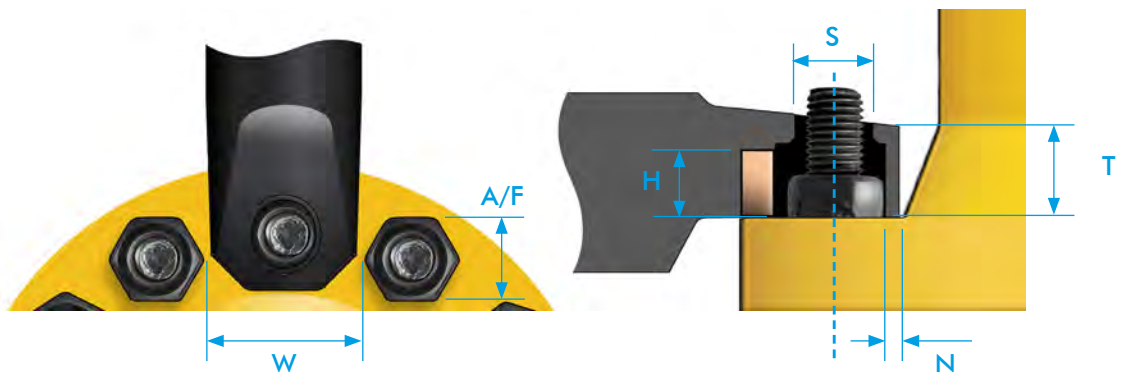
FLANGE TOOL INNOVATION

## RANGE OF APPLICATION FOR FLANGE NUTS

NS TOOL	UNC HEAVY HEX STUD SIZE	UNC HEAVY NUT A/F SIZE	METRIC STUD SIZE	METRIC NUT A/F SIZE
NS36	1-1/4", 1-3/8", 1-1/2", 1-5/8"	2" to 2.56"	M33, M36, M39, M42	50 mm to 65 mm

PLEASE REFER TO OUR WEBSITE [www.equalizerinternational.com](http://www.equalizerinternational.com)  
FOR INFORMATION ON THE COMPLETE EQUALIZER NUT SPLITTER RANGE

## SPATIAL ENVELOPE



	DIMENSION	MEASURED FROM	MEASURED TO	MINIMUM	MAXIMUM
A/F	Across Flats	Nut Hex Flat	Nut Hex Flat	-	71 mm (2.79")
W	Clear Width	Side Obstruction	Side Obstruction	108.0 mm (4.25")	-
S	Protruding Stud Diameter	Stud OD	Stud OD	-	49.5 mm (1.93")
H	Cutting Height	Flange Face	Top of Nut	-	45.0 mm (1.77")
N	Nose Clearance	Nut Flat	Frontal Obstruction	16.0 mm (0.63")	-
T	Nose Height	Flange Face	Top of Nose	52 mm (2.05")	



Hi-Press Hydraulics Ltd  
Riverside Works,  
Forge Road, Whaley Bridge,  
High Peak, SK23 7HY  
T: 01663 735089  
Sales@hi-press.co.uk

Hi-Press Hydraulics Ltd  
Unit 2, Hall House Ind Est,  
New Hutton, Kendal,  
Cumbria, LA8 0AH  
T: 01539 734005  
Cumbria@hi-press.co.uk

[www.hi-press.co.uk](http://www.hi-press.co.uk)

[www.hi-press.co.uk/equalizer](http://www.hi-press.co.uk/equalizer)