



FLANGE TOOL INNOVATION

# PRODUCT DATA SHEET

## SG11TM

### SECURE-GRIP MECHANICAL FLANGE SPREADER

#### SPREADING FORCE:

With 120 N·m (89 ft·lb) of torque applied: 11 T (110 kN)  
It is recommended that tools are used in pairs giving:

$$2 \times 11 \text{ T} = 22 \text{ T (220 kN)}$$

SPREADING DISTANCE: up to 90 mm (3.54")

TOOL WEIGHT: 10.5 kg (23.1 lb)

#### KIT CONTENTS

- 1 x SG11TM Tool
- 1 x 150 mm (6") Vernier Calliper
- 1 x 1/2" Drive Torque Wrench and 24 mm Socket
- 1 x Safety Block
- 2 x M30 (1 1/8") Collets
- 2 x M33 (1 1/4") Collets
- 2 x M36 (1 3/8") Collets
- 1 x Instruction Manual
- 1 x Carry Case with protective foam inserts

Product Code: SG11TMSTD

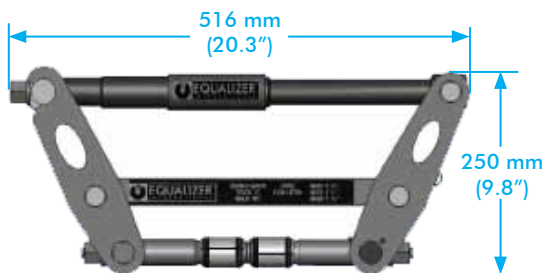


#### WEIGHTS AND DIMENSIONS

##### Carry Case:

640 mm x 540 mm x 165 mm (25.2" x 21.3" x 6.5")

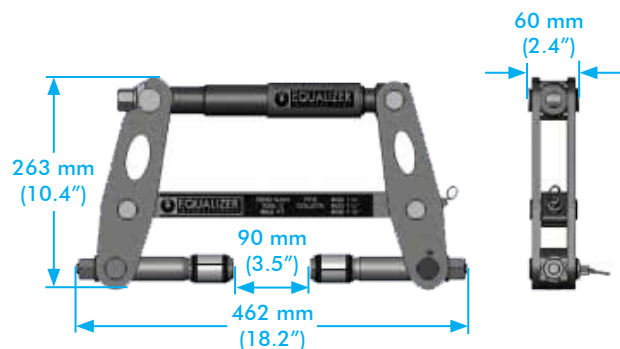
##### TOOL DIMENSIONS - CLOSED



Tool Weight: 10.5 kg (23.1 lb)

Gross Kit Weight: 20 kg (44 lb)

##### TOOL DIMENSIONS - OPEN



Hi-Press Hydraulics Ltd  
Riverside Works,  
Forge Road, Whaley Bridge,  
High Peak, SK23 7HY  
T: 01663 735089  
Sales@hi-press.co.uk

Hi-Press Hydraulics Ltd  
Unit 2, Hall House Ind Est,  
New Hutton, Kendal,  
Cumbria, LA8 0AH  
T: 01539 734005  
Cumbria@hi-press.co.uk

[www.hi-press.co.uk](http://www.hi-press.co.uk)

[www.hi-press.co.uk/equalizer](http://www.hi-press.co.uk/equalizer)

## RANGE OF APPLICATION

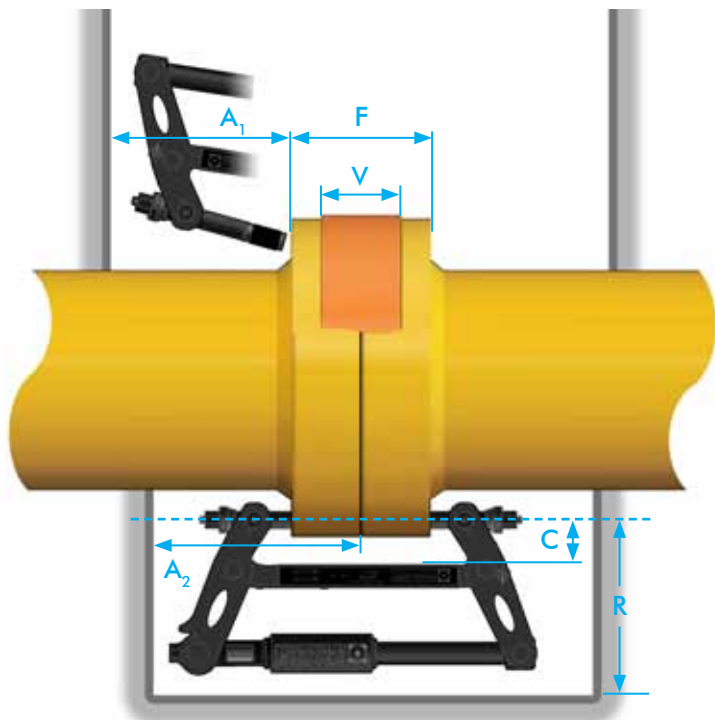
The SG11™ is usable on all standard flanges that have been specified to accept the following bolt sizes:

M30, M33, M36, 1 1/8", 1 1/4", 1 3/8"

This includes ANSI, DIN, SPO, ASME, API and BS flanges.

For a detailed range of application please request the Secure-Grip Mechanical Operator Instruction Manual.

## SPATIAL ENVELOPE



\*Short Collet Holder Kits (SCH) are available which can offer improved range of application.

\*\* Collet Holders can also be dismantled and inserted through bolt-holes from opposite side.

Contact Equalizer International if your application does not appear to suit standard tools.

|                | DIMENSION                      | MEASURED FROM          | MEASURED TO                | MINIMUM         | MAXIMUM        |
|----------------|--------------------------------|------------------------|----------------------------|-----------------|----------------|
| F              | Flange Joint Thickness         | Outside Face of Flange | Outside Face of Flange     | 96 mm (3.8")    | 240 mm (9.4")  |
| V              | Valve/Spacer Thickness         | Inside Face of Flange  | Inside Face of Flange      | *0 mm (0.0")    | * 60 mm (2.4") |
| C              | Flange Clearance               | Bolt-Hole Circle       | Largest OD of Valve/Spacer | -               | 60 mm (2.4")   |
| R              | Radial space                   | Bolt-Hole Circle       | Closest Obstruction        | 240 mm (9.4")   | -              |
| A <sub>1</sub> | Axial space (for installation) | Outside Face of Flange | Closest Obstruction        | **223 mm (8.8") | -              |
| A <sub>2</sub> | Axial space (installed)        | Inner Face of Flange   | Closest Obstruction        | 258 mm (10.2")  | -              |