



FLANGE TOOL INNOVATION

PRODUCT DATA SHEET

SWi20/25TI INNOVATIVE INTEGRAL HYDRAULIC FLANGE SPREADING WEDGE

SPREADING FORCE:

20 T (200 kN) 1st step

24 T (240 kN) 4th step

SPREADING DISTANCE:

6.0 mm - 103.5 mm (0.24" - 4.1")

WEIGHT: 8.5 kg (18.8 lb)

CAPABILITIES

At 700 bar (10 000 psi):
20 T spread force (1st step)
24 T spread force (4th step)

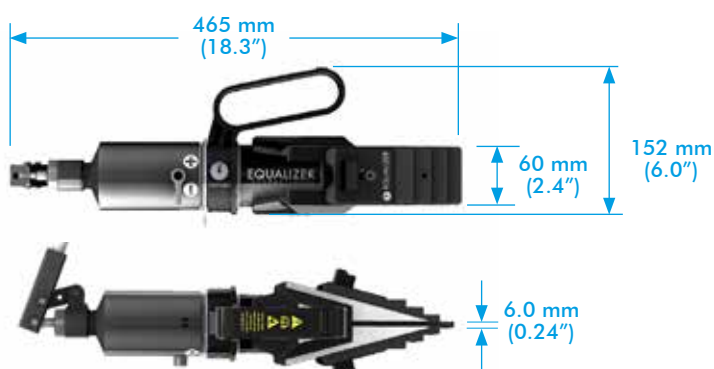
6.0 mm – 87.5 mm
(0.24" - 3.4") spread over 4 steps
(without stepped blocks)

48.5 mm – 103.5 mm
(1.9" - 4.1") spread over 2 steps
(with stepped blocks)

6.0 mm – 40.0 mm
(0.24" - 1.6") spread
using only 1st step



TOOL DIMENSIONS - CLOSED



USER FEATURES

- Practical, portable and lightweight
- Moulded plastic handle for comfort
- Revolving handle to aid horizontal or vertical spreading
- Offset handle is directly over the centre of mass
- Removable handle for improved access
- Revolving lanyard connection point
- Spread indicator markings for clear precise visual progress feedback

SAFETY FEATURES

- No finger pinch-points
- Increased step depth on upper steps
- Safety lanyard – 1.0 m (39") length
- Forged key components for strength and reliability

MAINTENANCE FEATURES

- Rapid disassembly and assembly
- Quick jaw replacement – remove 1 fastener
- Quick tip replacement – remove 2 fasteners
- Narrow jaw teeth – improved tool wear



Hi-Press Hydraulics Ltd
Riverside Works,
Forge Road, Whaley Bridge,
High Peak, SK23 7HY
T: 01663 735089
Sales@hi-press.co.uk

Hi-Press Hydraulics Ltd
Unit 2, Hall House Ind Est,
New Hutton, Kendal,
Cumbria, LA8 0AH
T: 01539 734005
Cumbria@hi-press.co.uk

www.hi-press.co.uk

www.hi-press.co.uk/equalizer

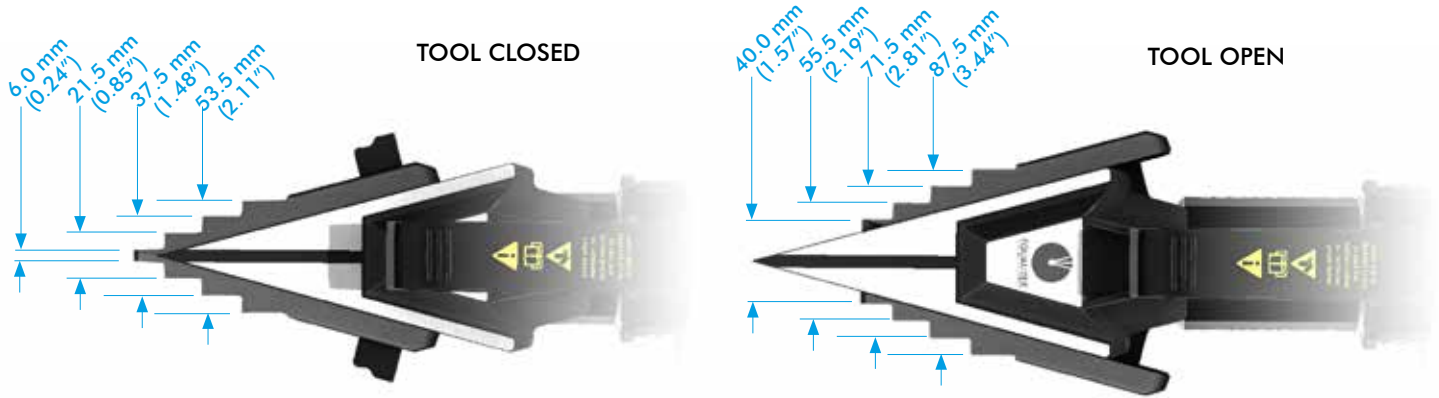
SWi20/25TI

INNOVATIVE INTEGRAL HYDRAULIC
FLANGE SPREADING WEDGE

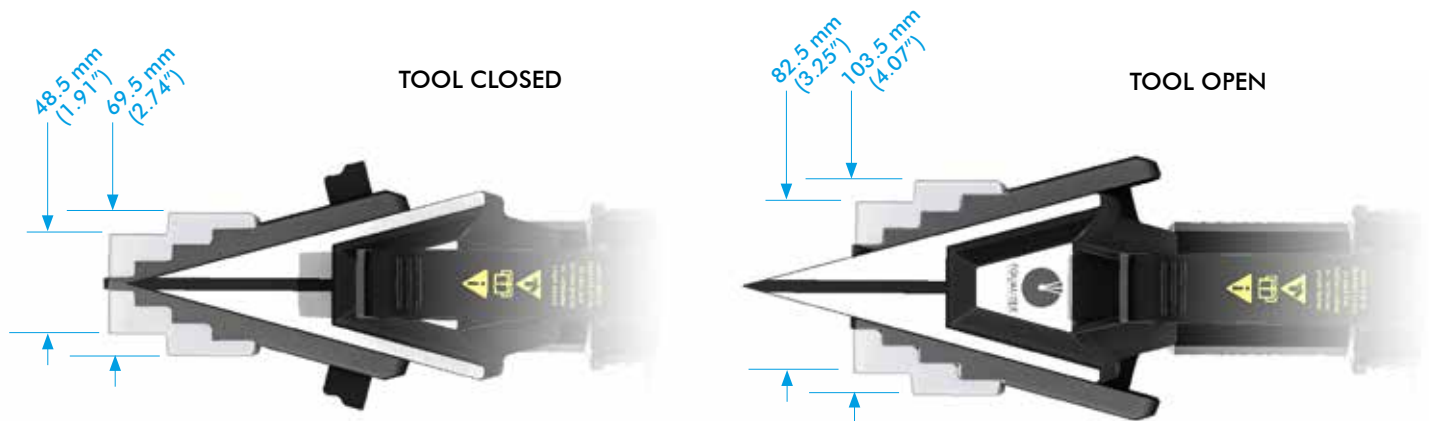


FLANGE TOOL INNOVATION

JAW DIMENSIONS (WITHOUT STEPPED BLOCKS ATTACHED)



JAW DIMENSIONS (WITH STEPPED BLOCKS ATTACHED)



STANDARD KIT

- 1 x SWi2025TI Flange Spreader Wedgehead
- 1 x 700 bar (10 000 psi) Integral Hydraulic Pump/Cylinder
- 1 x Set of Safety Blocks
- 1 x Pair of Stepped Blocks
- 1 x Safety Lanyard
- 1 x Hex Key
- 1 x Instruction Manual
- 1 x Carry Case

Product Code: SWi2025TISTDSPB

Carry Case Dimensions:

580 mm x 330 mm x 165 mm (22.8" x 13.0" x 6.5")

Gross Kit Weight 13.8 kg (30.4 lb)



Hi-Press Hydraulics Ltd
Riverside Works,
Forge Road, whaley Bridge,
High Peak, SK23 7HY
T: 01663 735089
Sales@hi-press.co.uk

Hi-Press Hydraulics Ltd
Unit 2, Hall House Ind Est,
New Hutton, Kendal,
Cumbria, LA8 0AH
T: 01539 734005
Cumbria@hi-press.co.uk

www.hi-press.co.uk

www.hi-press.co.uk/equalizer