



FLANGE TOOL INNOVATION

PRODUCT DATA SHEET

SWi5TE

INNOVATIVE EXTERNAL HYDRAULIC FLANGE SPREADING WEDGE

SPREADING FORCE:

6.3 T (63 kN) 1st step

7.7 T (77 kN) 4th step

SPREADING DISTANCE:

4 mm - 101 mm (0.16" - 4")

WEIGHT: 5.2 kg (11.4 lb)

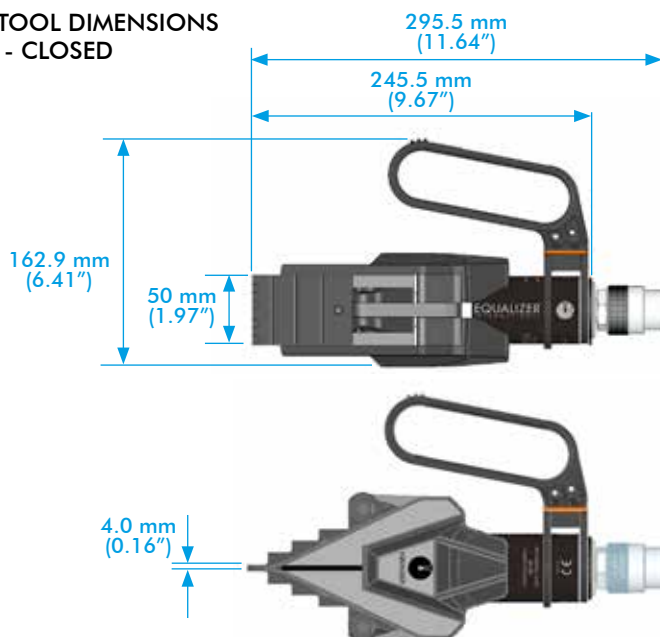
CAPABILITIES

At 700 bar (10 000 psi):
6.3 T spread force (1st step)
7.7 T spread force (4th step)

4 mm – 79 mm
(0.16" - 3.1") spread
over 4 steps
(without stepped blocks)

56 mm – 101 mm
(2.2" - 4") spread
over 2 steps
(with stepped blocks)

TOOL DIMENSIONS - CLOSED



USER FEATURES

- Practical, portable and lightweight
- Moulded plastic handle for comfort
- Revolving handle to aid horizontal or vertical spreading
- Removable handle for improved access
- 50mm jaw width

SAFETY FEATURES

- No finger pinch-points
- Increased step depth on upper steps
- Safety lanyard – 1.0 m (39") length
- Forged key components for strength and reliability

MAINTENANCE FEATURES

- Rapid disassembly and assembly
- Narrow jaw teeth – improved tool wear



Hi-Press Hydraulics Ltd
Riverside Works,
Forge Road, Whaley Bridge,
High Peak, SK23 7HY
T: 01663 735089
Sales@hi-press.co.uk

Hi-Press Hydraulics Ltd
Unit 2, Hall House Ind Est,
New Hutton, Kendal,
Cumbria, LA8 0AH
T: 01539 734005
Cumbria@hi-press.co.uk

www.hi-press.co.uk

www.hi-press.co.uk/equalizer

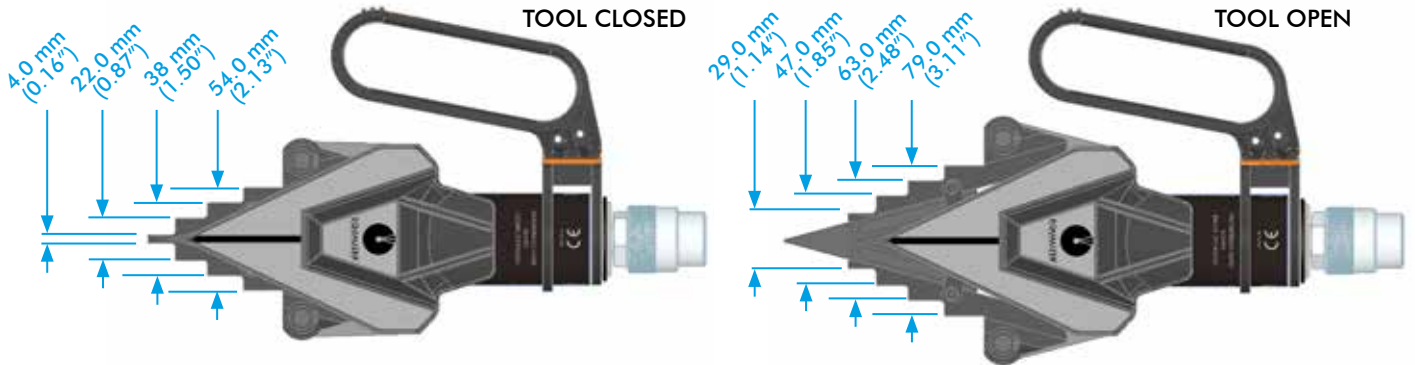
SWi5TE

FLANGE SPREADING WEDGE

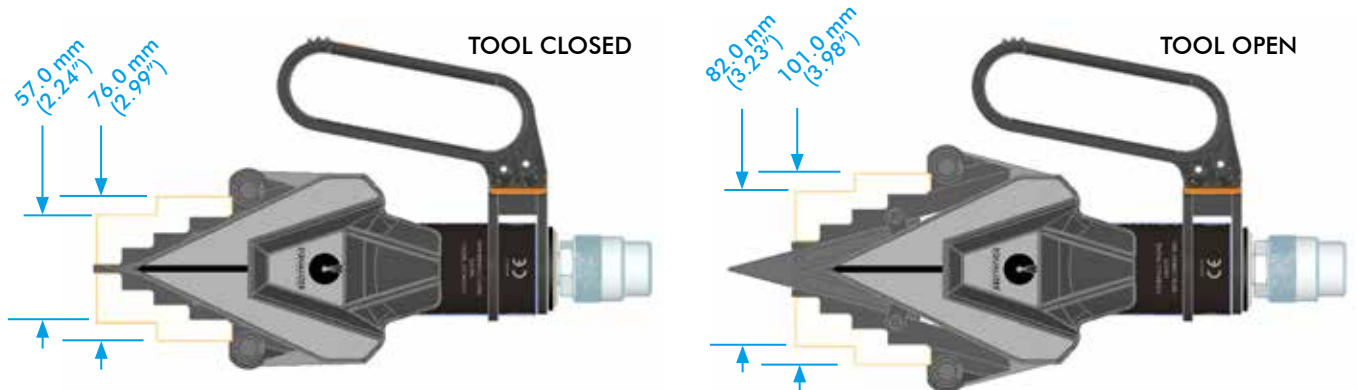


FLANGE TOOL INNOVATION

JAW DIMENSIONS (WITHOUT STEPPED BLOCKS ATTACHED)



JAW DIMENSIONS (WITH STEPPED BLOCKS ATTACHED)



TWIN KIT

- 2 x SWi5TE Flange Spreader Wedgeheads
- 2 x 700 bar (10 000 psi) Hydraulic Cylinders
- 2 x Sets of Standard Safety Blocks
- 2 x Lanyards
- 1 x Set of Instruction Manuals
- 1 x Plastic Carry Case + Foam Inserts

Product Code: SWi5TE-T

Carry Case Dimensions

580 mm x 340 mm x 180 mm (22.8" x 13.4" x 7.1")
Gross Kit Weight 14.4 kg (31.7 lb)



SINGLE KIT

- 1 x SWi5TE Flange Spreader Wedgehead
- 1 x 700 bar (10 000 psi) Hydraulic Cylinder
- 1 x Safety Block
- 1 x Lanyard
- 1 x Instruction Manual
- 1 x Plastic Carry Case + Foam Insert

Product Code: SWi5TE-S

Carry Case Dimensions

580 mm x 340 mm x 180 mm (22.8" x 13.4" x 7.1")
Gross Kit Weight 8.7 kg (19.1 lb)



STEP BLOCK KIT

- 2 x SWi5TE Step Block
- 2 x M6 CSK Hex Screw
- 2 x Retaining Washer
- 1 x SWi5TE Large Safety Block
- 2 x 4mm Allen Key

Product Code: 1640016-01

Gross Kit Weight 1.3 kg (2.9 lb)



Hi-Press Hydraulics Ltd
Riverside Works,
Forge Road, Whaley Bridge,
High Peak, SK23 7HY
T: 01663 735089
Sales@hi-press.co.uk

Hi-Press Hydraulics Ltd
Unit 2, Hall House Ind Est,
New Hutton, Kendal,
Cumbria, LA8 0AH
T: 01539 734005
Cumbria@hi-press.co.uk

www.hi-press.co.uk

www.hi-press.co.uk/equalizer