



FLANGE TOOL INNOVATION

PRODUCT DATA SHEET

THE EQUALIZER™ RANGE OF TFA

INTEGRAL HYDRAULIC TOWER FLANGE ALIGNMENT TOOLS

- TFA12TI
- TFA15TI

KIT CONTENTS

TFA12TI STANDARD KIT:

- 1 x TFA12TI Tool
- 1 x Safety Lanyard
- 1 x Instruction Manual
- 1 x Carry Case
- Product Code: TFA12TISTD

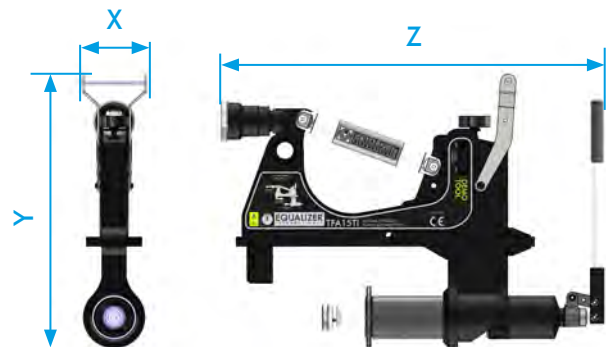
TFA15TI STANDARD KIT:

- 1 x TFA15TI Tool
- 1 x Safety Lanyard
- 1 x Instruction Manual
- 1 x Carry-Case
- Product Code: TFA15TISTD



WEIGHTS AND DIMENSIONS

	KIT WEIGHT	TOOL WEIGHT	X	Y	Z	CARRY CASE DIMS
TFA12TI	31.0 kg (68.3 lb)	21.9 kg (48.3 lb)	104 mm (4.10")	470 mm (18.5")	635 mm (25.0")	585 mm (23.0") 900 mm (35.4") 160 mm (11.8")
TFA15TI	30.6 kg (67.5 lb)	21.5 kg (47.4 lb)	104 mm (4.10")	430 mm (16.9")	635 mm (25.0")	585 mm (23.0") 900 mm (35.4") 160 mm (11.8")



Hi-Press Hydraulics Ltd
Riverside Works,
Forge Road, Whaley Bridge,
High Peak, SK23 7HY
T: 01663 735089
Sales@hi-press.co.uk

Hi-Press Hydraulics Ltd
Unit 2, Hall House Ind Est,
New Hutton, Kendal,
Cumbria, LA8 0AH
T: 01539 734005
Cumbria@hi-press.co.uk

www.hi-press.co.uk

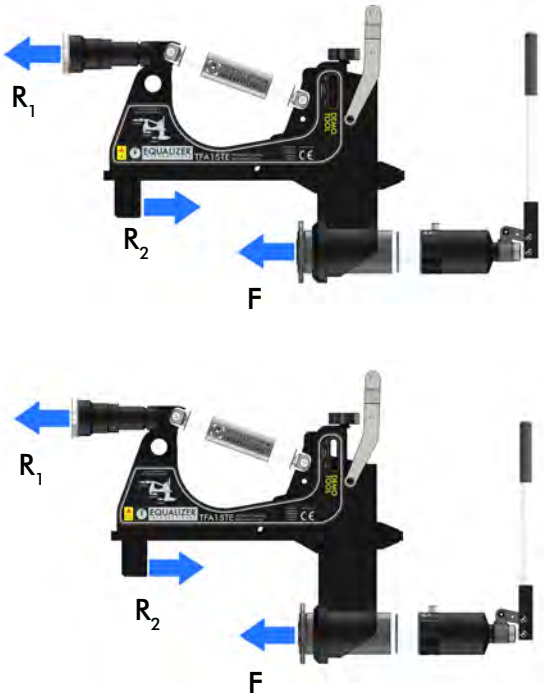
www.hi-press.co.uk/equalizer

THE EQUALIZER™ RANGE OF
TFA
INTEGRAL HYDRAULIC TOWER
FLANGE ALIGNMENT TOOLS



FLANGE TOOL INNOVATION

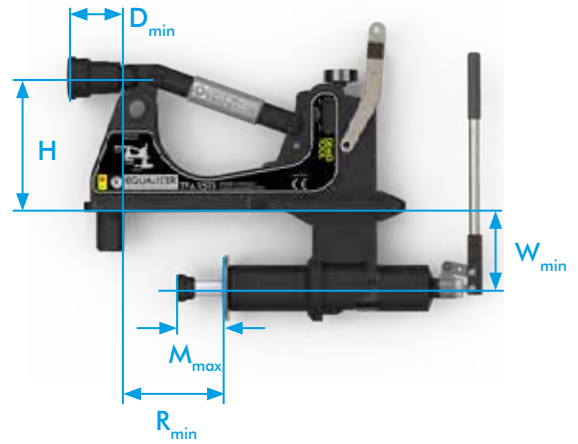
ALIGNMENT FORCE



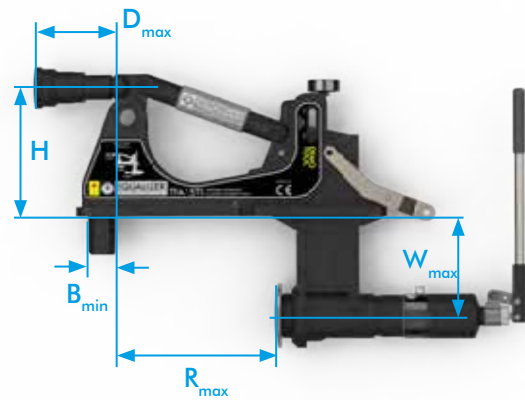
FORCE		TFA12TI	TFA15TI
F	ALIGNMENT FORCE	MIN MAX	12 T 15 T
	R ₁	REACTION FORCE 1	MIN MAX
R ₂		REACTION FORCE 2	MIN MAX

RANGE OF APPLICATION

MINIMUM EXTENSION



MAXIMUM EXTENSION



DIMENSION		TFA12TI	TFA15TI
B	Bolt Hole Diameter	MIN MAX	45 mm 45 mm
	M	Misalignment	MIN MAX
R		Rise	MIN MAX
	D	Pipe Leg Drop	MIN MAX
W		Wing Reach	MIN MAX
	H	Reaction Spacing	MIN



Hi-Press Hydraulics Ltd
Riverside Works,
Forge Road, whaley Bridge,
High Peak, SK23 7HY
T: 01663 735089
Sales@hi-press.co.uk

Hi-Press Hydraulics Ltd
Unit 2, Hall House Ind Est,
New Hutton, Kendal,
Cumbria, LA8 0AH
T: 01539 734005
Cumbria@hi-press.co.uk

www.hi-press.co.uk

www.hi-press.co.uk/equalizer