

EIS 65.100-1 08/16 Rev. G

index:

English Instruction Sheet.....	pages.....	1-4
Repair Parts Sheet.....	pages.....	5-12
Française Notice d'Emploi.....	pages.....	13-16
Deutsche Bedienungsanleitung.....	Seiten.....	17-20
Italiano Manuale Istruzioni.....	pagine.....	21-24
Español Instrucciones.....	páginas.....	25-28
Nederlandse Gebruikershandleiding.....	blz.....	29-32
Русская инструкция.....	страница.....	33-36

1.0 IMPORTANT RECEIVING INSTRUCTIONS

Visually inspect all components for shipping damage. Shipping damage is not covered by warranty. If shipping damage is found notify carrier at once. The carrier is responsible for all repair and replacement costs resulting from damage in shipment.

SAFETY FIRST

Read all instructions, warnings and cautions carefully. Follow all safety precautions to avoid personal injury or property damage during system operation. Enerpac cannot be responsible for damage or injury resulting from unsafe use of product, lack of maintenance or incorrect product and/or system operation. Contact Enerpac when in doubt as to the safety precautions and applications. **TO PROTECT YOUR WARRANTY, USE ONLY ENERPAC HYDRAULIC OIL.**

2.0 PRODUCT DESCRIPTION

Enerpac BHP-series puller sets consist basically of a handpump, single-acting cylinder, gauge, gauge adaptor, hose, couplers and specific tools and attachments. The pullers are designed for installing and removing all press fitted and heat fitted parts such as gears, pulleys, wheels, bearings, sleeves, sprockets, pins and other stubborn parts.

The Enerpac BHP-series puller sets are available as: Grip Puller Sets (see paragraph 2.1), Cross-Bearing Puller Sets (see paragraph 2.2) and Multi-Purpose Puller Sets (see paragraph 2.3).

Puller set attachments are additional parts to increase on-the-job flexibility further with the use of grip pullers and cross-bearing pullers. See tables D and E on the pages 11 and 12 for the individual components of puller set attachments.

2.1 Grip Puller Sets

The grip puller sets BHP-152, BHP-251G, BHP-351G and BHP-551G can be used to remove and install gears, bearings, pulleys and similar parts. See illustration 1 on page 3: grip pullers can be used with a double crosshead (2 grip arms) or a triple crosshead (3 grip arms). For individual parts see table A on page 7.

2.2 Cross Bearing Puller Sets

The cross bearing puller sets BHP-162, BHP-261G, BHP-361G and BHP-561G can be used to remove and install gears, pulleys, sleeves and bushings. These pullers can also be used as bearing cup pullers (internal grip pullers) as shown in illustr. 2 on page 3 or as bearing pullers as shown in illustration 3 on page 3.

In situations where clearance prevents a direct application of grip puller arms, it is possible to use the puller in combination with bearing puller attachment as shown in illustration 4 on page 4. Bearing puller attachments have wedge shaped edges to place the puller behind the hard to reach the gear or bearing. See table B on page 9 for individual components.

2.3 Multi-Purpose Puller Sets

BHP-1752, BHP-2751G, BHP-3751G and BHP-5751G multi-purpose puller sets are a combination of the above mentioned grip puller sets and cross bearing puller sets to provide maximum application flexibility in pulling and pushing applications in maintenance and repair. See table C (page 10) for individual components.

3.0 GENERAL SAFETY ISSUES

Failure to comply with the following cautions and warnings could cause equipment damage or personal injury.



WARNING: DO NOT exceed 50% of the rated puller capacity when using a double crosshead (2 grip arms): do not exceed 350 bar (5,000 psi) when using a hydraulic puller in this application.



WARNING: DO NOT exceed 50% of the rated puller capacity when using the puller legs in combination with bearing puller attachment: do not exceed 350 bar (5,000 psi) when using a hydraulic puller in this application.



IMPORTANT: It is recommended to use the triple crosshead (3 grip arms) which gives a more secure grip, a more even pulling force and is more stable than the double crosshead (2 grip arms).



WARNING: To avoid personal injury and equipment damage, make sure all hydraulic components withstand the max. hydraulic pressure of 700 bar (10,000 psi).



IMPORTANT: Use hydraulic gauges in each hydraulic system to indicate safe operating loads.



WARNING: Make sure that all system components are protected from external sources of damage, such as excessive heat, flame, moving machine parts, sharp edges and corrosive chemicals.



CAUTION: Avoid sharp bends and kinks that which will cause severe back-up pressure in hoses. Bends and kinks lead to premature hose failure.



WARNING: DO NOT handle pressurized hoses. Escaping oil under pressure can penetrate the skin causing serious injury. If oil is injected under the skin see a doctor immediately.



WARNING: The operator must take precaution against injury due to flying debris caused by failure of the tool or workpiece.



WARNING: DO NOT use this equipment in circumstances where a sudden release of pressure can result in loss of balance causing damage or injury.



WARNING: DO NOT overload equipment. Use the right size puller. When you have applied maximum force, but the part will not move, go to a larger capacity puller. Resist sledging.



IMPORTANT: It is impossible to predict the exact force needed for every pulling situation. The amount of press fit and force of removal can vary greatly between jobs. Set-up requirements along with the size, shape and condition of the parts being pulled are variables which must be considered. Study each pulling application before you select your puller.



IMPORTANT: Apply force gradually. Align puller legs and grip arms. Be sure the setup is rigid and puller is square with the work.



WARNING: Immediately replace worn or damaged parts with genuine Enerpac parts. Enerpac parts are designed to fit properly and withstand rated loads.

4.0 INSTALLATION

4.1 Grip pullers

Illustration 5 on page 6 shows how to build-up your grip puller. The numbers in illustration 5 correspond with the parts numbered in table A on page 7.

4.2 Cross bearing pullers

Illustration 6 on page 8 shows how to build-up your cross bearing puller. The numbers in illustration 6 correspond with the parts numbered in table B on page 9.

4.3 Internal pullers

Illustration 7 on page 8 shows how to build-up your internal puller. The numbers in illustr. 7 correspond with the parts numbered in table B on page 9.

5.0 OPERATION



IMPORTANT: It is mandatory that the operator has a full understanding of all instructions, safety regulations, cautions and warnings, before starting to operate any of this high force tool equipment. When in doubt, contact Enerpac.

5.1 Advancing and retracting the cylinder

All BHP Puller Sets are equipped with a single-acting, spring return cylinder and a handpump. For complete operating instructions refer to the instruction sheet included with each pump and cylinder.

Handpumps to operate single-acting cylinders are equipped with a release valve to release pressure. Close the release valve, raise and lower the pump handle to advance the cylinder. To retract the cylinder, open the release valve.

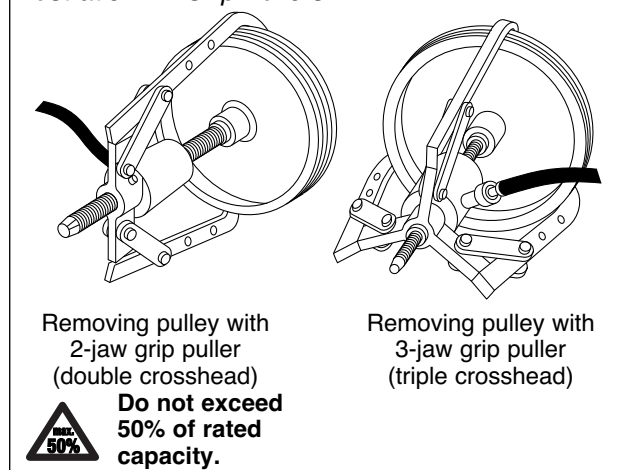
5.2 Air removal

Advance and retract the cylinder several times avoiding pressure build-up. Air removal is complete when the cylinder motion is smooth.

5.3 Using grip pullers

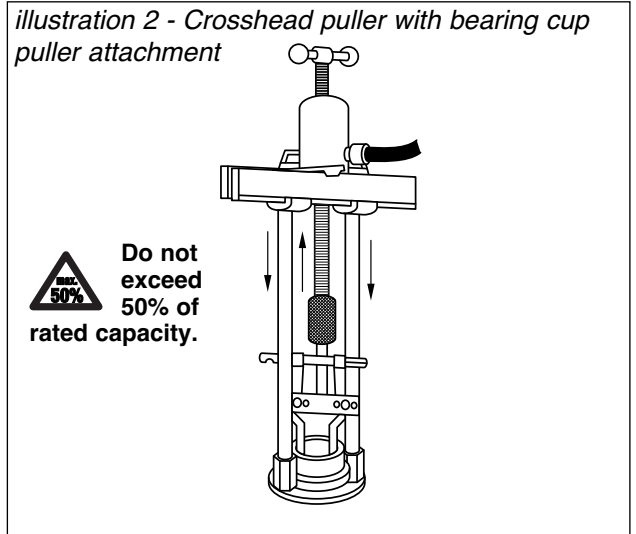
Build up your application as shown in illustr. 1 below and illustration 5 on page 6. Remember that the triple grip puller provides a more stable and secure grip, with a more even pulling force than the double grip puller. Do not exceed 50% of the rated puller capacity with a double grip puller. Start pumping and apply hydraulic pressure gradually to remove the part.

illustration 1 - Grip Pullers



5.4 Using bearing cup puller

Build up your application as shown in illustration 2 with the internal grip puller. See also illustr. 7 page 8. Align puller legs and arms and apply hydraulic pressure gradually to remove the part.

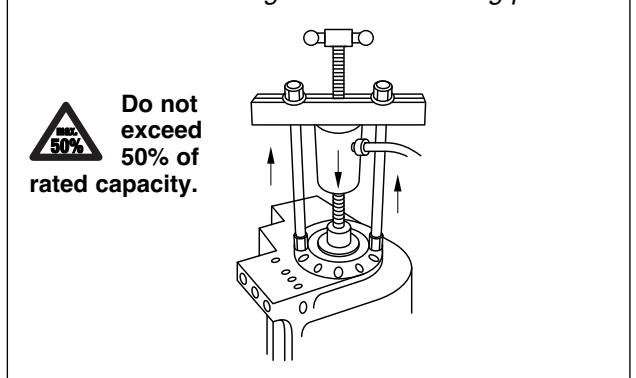


5.5 Using cross bearing pullers

To pull: The cylinder must be positioned above the slotted crosshead. Align puller legs and adjusting screw and apply hydraulic pressure gradually to remove the part.

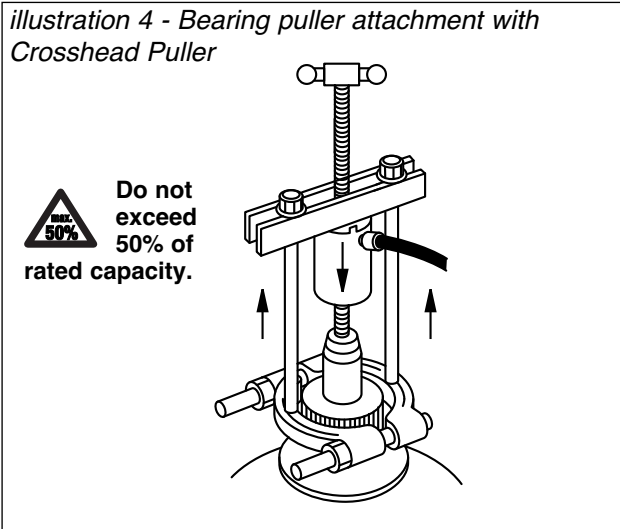
To push: Build up the application as shown in illustration 3. Notice that the cylinder must be positioned under the slotted crosshead. Align puller legs and adjusting screw and apply hydraulic pressure gradually to remove the part.

illustration 3 - Pushing with cross bearing puller



5.6 Using bearing puller attachment

The bearing puller attachment can be used in combination with the crosshead puller shown in the illustration 4 below and illustration 6 on page 8.



6.0 MAINTENANCE AND SERVICE

Maintenance is required when wear or leakage is noticed. Periodically inspect all components to detect any problem requiring service and maintenance. Enerpac offers ready-to-use spare parts kits for repair and/or replacements. Contact Enerpac.



IMPORTANT: Hydraulic equipment must be serviced by a qualified hydraulic technician. For repair service, contact the Authorized Enerpac Service Center in your area.

- Periodically inspect all components to detect any problem requiring maintenance and service. Replace damaged parts immediately.
- Do not exceed oil temperature of 60°C [140°F].
- Keep all hydraulic components clean.
- Keep your pulling equipment in shape. Clean and lubricate the puller's adjusting screw and puller legs frequently, from thread to tip, to ensure good operation and long life.
- Periodically check the hydraulic system for loose connections and leaks.
- Change hydraulic oil in your system as recommended in the pump instruction sheet.



Repair Parts Sheet

**BHP Puller Sets
and Attachments**

Note: See pages 6 through 12 for repair parts lists and diagrams.

Hinweis: Siehe Seiten 6 bis 12 für Ersatzteillisten und Schemata.

Nota: Véanse las páginas 6-12 para las listas de piezas de recambio y diagramas.

Remarque : Voir les pages 6 -12 pour les listes des pièces de rechange et les schémas.

Nota: Per consultare i diagrammi e gli elenchi dei pezzi di ricambio, fare riferimento alle pagine 6 - 12.

N.B.: Zie pagina's 6 tot en met 12 voor reparatielijsten en schema's.

Замечание: См. стр. 6-12 для запасных частей и схем.

illustration 5 - How to set up a Grip Puller. Numbers correspond with table A on page 7.

figure 5 - Comment assembler un extracteur à griffes. Les números correspondent à ceux de la table A page 7.

Abbildung 5 - Montieren der Abzugsätze.

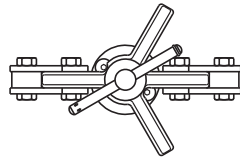
Die Zahlen stimmen mit Tabelle A auf Seite 7 überein.

figura 5 - Come montare un estrattore a griffe. I numeri corrispondono con quelli della tabella A a pagina 7.

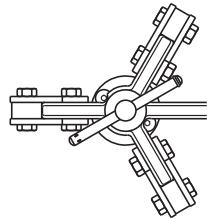
ilustración 5 - Modo de colocación de un extractor de garras. Los números corresponden con el cuadro A en la página 7.

illustratie 5 - Opbouwen van Trekkersets met trekarmen. De nummers komen overeen met tabel A op bladzijde 7.

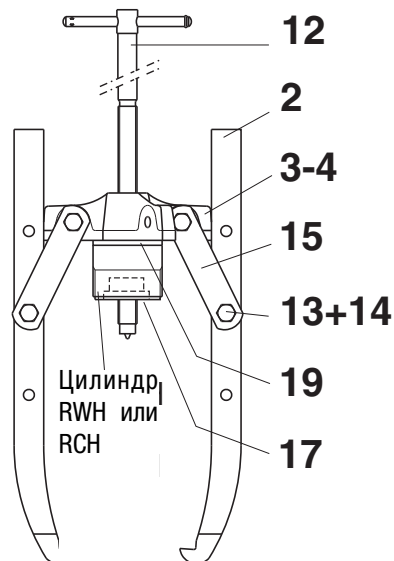
Рис. 5. Сборка зажимного съемника. Числа на рисунке соответствуют числам в таблице А (стр. 7).



2 grip arms
Tête à 2 griffes
Kreuzkopf 2-armig
Traversa 2 griffe
Cruceta doble
2-armig juk
Зажим с 2 лапами



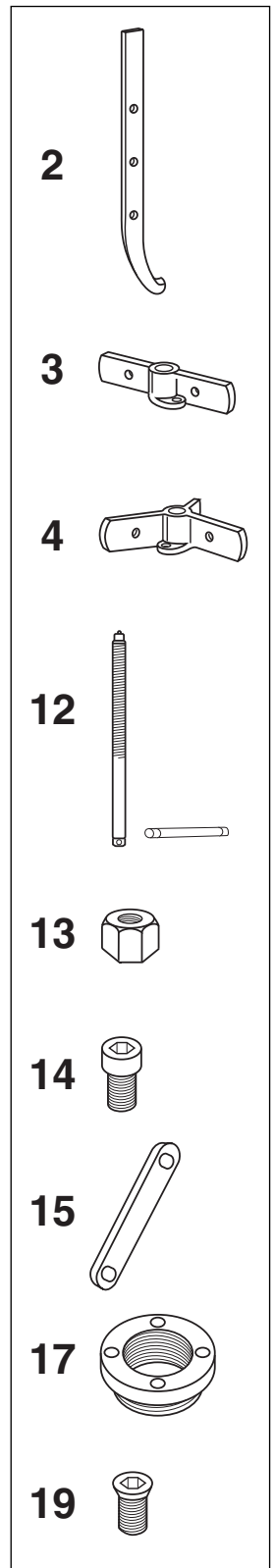
3 grip arms
Tête à 3 griffes
Kreuzkopf 3-armig
Traversa 3 griffe
Cruceta triple
3-armig juk
Зажим с 3 лапами



**Note: Refer to
Illustration 5
(page 6)**

TABLE A - INDIVIDUAL COMPONENTS OF GRIP PULLER SETS

Model Number - Grip Puller Sets		BHP-152	BHP-251G	BHP-351G	BHP-551G
Maximum Capacity		8 ton	20 ton	30 ton	50 ton
Hydraulic Components	Pump	P-142	P-392	P-392	P-80
	Cylinder	RWH-121	RCH-202	RCH-302	RCH-603
	Gauge	GF-120P (US) GF-120B (Eur) + GA-4 ¹⁾	GF-813P (US) GF-813B (Eur) + GA-3 ¹⁾	GF-813P (US) GF-813B (Eur) + GA-3 ¹⁾	GF-813P (US) GF-813B (Eur) + GA-3 ¹⁾
	Hose	HB-7206QB	HC-7206	HC-7206	HC-7206
Weight / Poids		22 kg 48 lbs	56 kg 123 lbs	91 kg 200 lbs	160 kg 353 lbs
1	Cyl. Adapter	--	--	--	--
2	Grip Arms	HP-1125 (3x)	HP-2125 (3x)	HP-3125 (3x)	HP-5125 (3x)
3	Double Crosshead	--	HP-2120	HP-3120	HP-5120
4	Triple Crosshead	HP-1130	HP-2130	HP-3130	HP-5130
12	Adjusting Rod	HP-1111	HP-2111	HP-3111	HP-5111
13	Strap Nut Kit (Includes 6 nuts)	HP-1123	HP-2023	HP-3123	HP-5023
14	Strap Screw Kit (includes 6 screws)	HP-1122	HP-2122	HP-3122	HP-5122
15	Straps	HP-1121 (6x)	HP-2121 (6x)	HP-3121 (6x)	HP-5121 (6x)
17	Threaded Saddle	--	HP-2015	HP-3015	HP-5016
19	Mounting Screw Kit (includes 2 screws)	HP-1120	HP-2213	HP-2013	HP-5013



1) GA = Gauge Adaptor

illustration 6 - How to set up a Cross Bearing Puller. Numbers correspond with table B on page 9

figure 6 - Comment assembler un extracteur à tirants. Les números correspondent à ceux de la table B page 9.

Abbildung 6 - Montieren der Jochabzieher. Die Zahlen stimmen mit Tabelle B auf Seite 9 überein.

figura 6 - Come montare un estrattore a tiranti. I numeri corrispondono con quelli della tabella B a pagina 9.

ilustración 6 - Modo de colocación de un extractor de cojinetes. Los números corresponden con el cuadro B en la página 9.

illustratie 6 - Opbouwen van brugstuk-lagertrekkers. De nummers komen overeen met tabel B op bladzijde 9.

Рис. 6. Сборка съемника-хомута. Числа на рисунке соответствуют числам в таблице В (стр. 9).

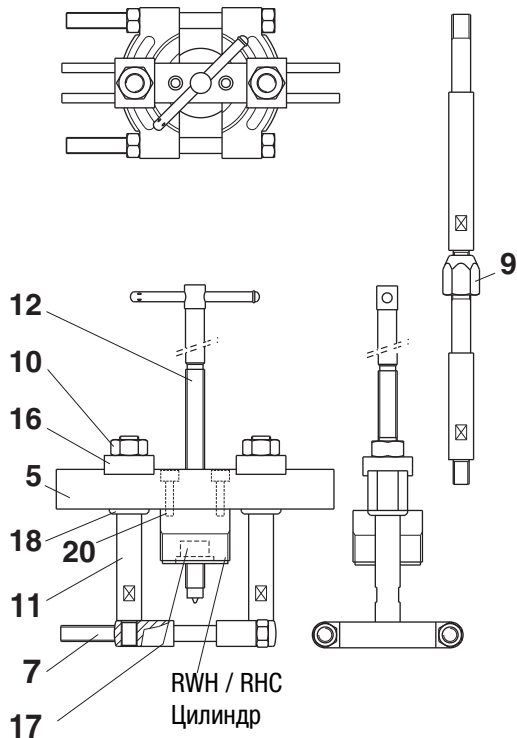


illustration 7 - How to set up a Internal Puller. Numbers correspond with table B on page 9

figure 7 - Comment assembler un extracteur intérieur. Les números correspondent à ceux de la table B page 9.

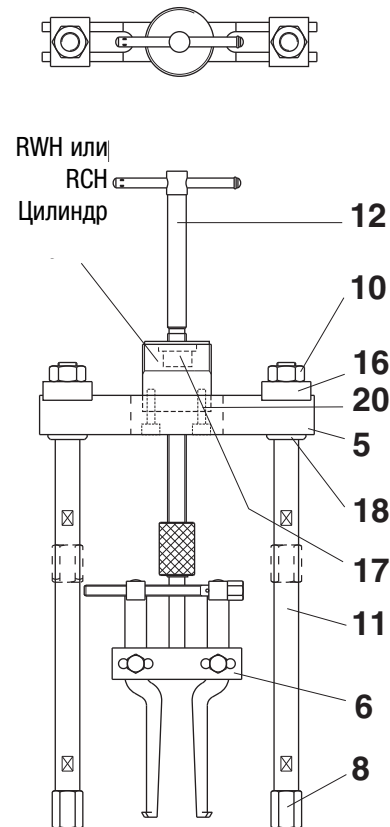
Abbildung 7 - Montieren der Lagerschalenabzieher. Die Zahlen stimmen mit Tabelle B auf Seite 9 überein.

figura 7 - Come montare un estrattore per interni. I numeri corrispondono con quelli della tabella B a pagina 9.

ilustración 7 - Modo de colocación de un extractor interior. Los números corresponden con el cuadro B en la página 9.

illustratie 7 - Opbouwen van inwendige lagertrekkers. De nummers komen overeen met tabel B op bladzijde 9.

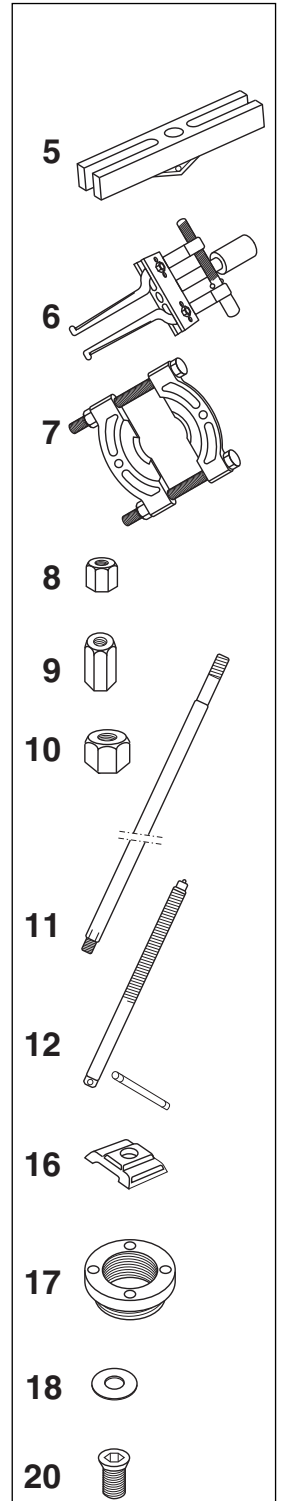
Рис. 7. Сборка съемника с внутренним захватом. Числа на рисунке соответствуют числам в таблице В (стр. 9).



Note: Refer to
Illustration 6 or 7
(page 8)

TABLE B - INDIVIDUAL COMPONENTS OF CROSS-BEARING PULLER SETS

Cross-Bearing Puller Sets		BHP-162	BHP-261G	BHP-361G	BHP-561G
Max. Capacity		8 ton	20 ton	30 ton	50 ton
Hydraulic Components	Pump	P-142	P-392	P-392	P-80
	Cylinder	RWH-121	RCH-202	RCH-302	RCH-603
	Gauge	GF-120P (US) GF-120B (Eur) + GA-4 ¹⁾	GF-813P (US) GF-813B (Eur) + GA-3 ¹⁾	GF-813P (US) GF-813B (Eur) + GA-3 ¹⁾	GF-813P (US) GF-813 (Eur) + GA-3 ¹⁾
	Hose	HB-7206QB	HC-7206	HC-7206	HC-7206
Weight		26 kg 57 lbs	62 kg 164 lbs	121 kg 267 lbs	185 kg 408 lbs
5	Slotted Crosshead	HP-1103	HP-2103	HP-3104	HP-5103
6	Bearing Cup Pull.	BHP-180	BHP-280	BHP-380	BHP-580
7	Bearing Puller	BHP-181	BHP-282	BHP-382	BHP-582
8	Leg End Kit (includes 2 leg ends)	HP-2009	HP-2009	HP-3039	--
9	Leg Reducer Kit (includes 4 reducers)	HP-2031	HP-2031	HP-3041	--
10	Leg Nut Kit (includes 2 nuts)	HP-2001	HP-2001	HP-3031	HP-5001
11	Leg ²⁾	HP-1136 (2x) HP-1137 (2x)	HP-2006 (2x) HP-2007 (2x) HP-2008 (2x) HP-2012 (2x)	HP-3036 (2x) HP-3037 (2x) HP-3038 (2x)	HP-5007 (2x) HP-5008 (2x)
12	Adjusting Rod	HP-1111	HP-2111	HP-3111	HP-5111
16	Slide Plate	HP-1105 (2x)	HP-2105 (2x)	HP-3135 (2x)	HP-5102 (2x)
17	Threaded Saddle	--	HP-2015	HP-3015	HP-5016
18	Washer Kit (includes 2 washers)	HP-1102	HP-2002	HP-3032	HP-5132
20	Mounting Screw Kit (includes 2 screws)	HP-1213	HP-2113	HP-3113	HP-5113

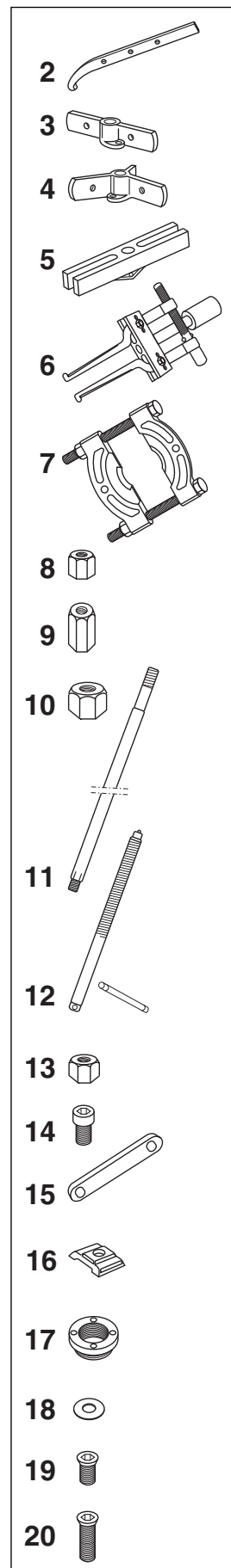


1) GA = Gauge Adaptor 2) See Leg Lengths table on page 11 for additional information.

Note: Refer to
Illustration 5 (page 6) or
illustrations 6 & 7 (page 8)

TABLE C - INDIVIDUAL COMPONENTS OF MULTI-PURPOSE PULLER SETS

Multi-Purpose Puller Sets		BHP-1752	BHP-2751G	BHP-3751G	BHP-5751G
Capacity		8 ton	20 ton	30 ton	50 ton
Hydraulic Components	Pump	P-142	P-392	P-392	P-80
	Cylinder	RWH-121	RCH-202	RCH-302	RCH-603
	Gauge	GF-120P (US) GF-120B (Eur) + GA-4 1)	GF-813P (US) GF-813B (Eur) + GA-3 1)	GF-813P (US) GF-813B (Eur) + GA-3 1)	GF-813P (US) GF-813B (Eur) + GA-3 1)
	Hose	HB-7206QB	HC-7206	HC-7206	HC-7206
2 Grip Arms		HP-1125 (3x)	HP-2125 (3x)	HP-3125 (3x)	HP-5125 (3x)
3 Double Crosshead		--	HP-2120	HP-3120	HP-5120
4 Triple Crosshead		HP-1130	HP-2130	HP-3130	HP-5130
5 Slotted Crosshead		HP-1103	HP-2103	HP-3104	HP-5103
6 Bearing Cup Pull.		BHP-180	BHP-280	BHP-380	BHP-580
7 Bearing Puller		BHP-181	BHP-282	BHP-382	BHP-582
8 Leg End Kit (includes 2 leg ends)		HP-2009	HP-2009	HP-3039	--
9 Leg Reducer Kit (includes 4 reducers)		HP-2031	HP-2031	HP-3041	--
10 Leg Nut Kit (includes 2 nuts)		HP-2001	HP-2001	HP-3031	HP-5001
11 Leg 2)		HP-1136 (2x) HP-1137 (2x)	HP-2006 (2x) HP-2007 (2x) HP-2008 (2x) HP-2012 (2x)	HP-3036 (2x) HP-3037 (2x) HP-3038 (2x)	HP-5007 (2x) HP-5008 (2x)
12 Adjusting Rod		HP-1111	HP-2111	HP-3111	HP-5111
13 Strap Nut Kit (includes 6 nuts)		HP-1123	HP-2023	HP-3123	HP-5023
14 Strap Screw Kit (includes 6 screws)		HP-1122	HP-2122	HP-3122	HP-5122
15 Straps		HP-1121 (6x)	HP-2121 (6x)	HP-3121 (6x)	HP-5121 (6x)
16 Slide Plate		HP-1105 (2x)	HP-2105 (2x)	HP-3135 (2x)	HP-5102 (2x)
17 Threaded Saddle		--	HP-2015	HP-3015	HP-5016
18 Washer Kit (includes 2 washers)		HP-1102	HP-2002	HP-3032	--
19 Short Mounting Screw Kit (includes 2 screws)		HP-1120	HP-2113	HP-2013	HP-5013
20 Long Mounting Screw Kit (includes 2 screws)		HP-1213	HP-2213	HP-3113	HP-5113

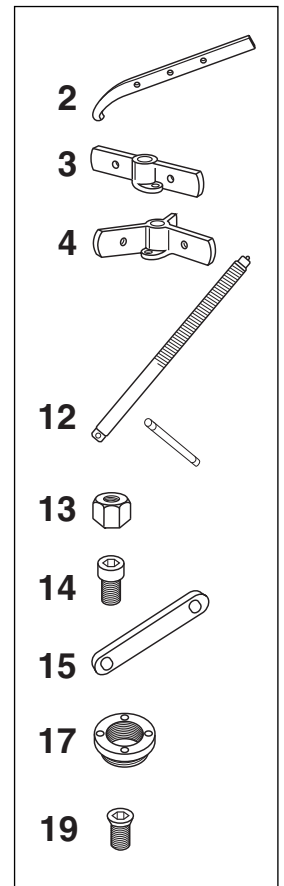


1) GA = Gauge Adaptor 2) See Leg Lengths table on page 11 for additional information.

**Note: Refer to
Illustration 5
(page 6)**

TABLE D - INDIVIDUAL COMPONENTS OF GRIP PULLER ATTACHMENTS

Grip Puller Attachments	BHP-1762	BHP-252	BHP-352	BHP-552
Capacity	8 ton	20 ton	30 ton	50 ton
2 Grip Arms	HP-1125 (3x)	HP-2125 (3x)	HP-3125 (3x)	HP-5125 (3x)
3 Double Crosshead	--	HP-2120	HP-3120	HP-5120
4 Triple Crosshead	HP-1130	HP-2130	HP-3130	HP-5130
12 Adjusting Rod	HP-1111	HP-2111	HP-3111	HP-5111
13 Strap Nut Kit (includes 6 nuts)	HP-1123	HP-2023	HP-3123	HP-5023
14 Strap Screw Kit (includes 6 screws)	HP-1122	HP-2122	HP-3122	HP-5122
15 Straps	HP-1121 (6x)	HP-2121 (6x)	HP-3121 (6x)	HP-5121 (6x)
17 Threaded Saddle	--	HP-2015	HP-3015	HP-5016
19 Mounting Screw Kit (includes 2 screws)	HP-1120	HP-2213	HP-2013	HP-5013



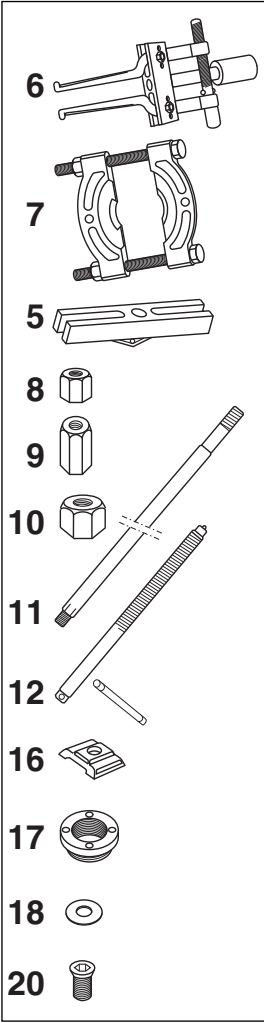
LEG LENGTHS (See item #11, tables B, C and E)

Leg Part Number	Leg Length inch [mm]	Used on Puller Models:
HP-1136	4.2 [106]	BHP162, BHP-1752, BHP-1772
HP-1137	14.1 [357]	
HP-2006	9.4 [240]	BHP-261G, BHP-2751G, BHP-262
HP-2007	16.5 [420]	
HP-2008	22.4 [570]	
HP-2012	4.5 [115]	
HP-3036	8.0 [204]	BHP-361G, BHP-3751G, BHP-362
HP-3037	18.1 [18.1]	
HP-3038	28.0 [710]	
HP-5007	24.0 [608.5]	BHP-561G, BHP-5751G, BHP-362
HP-5008	34.0 [863.5]	

Refer to Illustration
6 or 7 (page 8)

TABLE E - INDIVIDUAL COMPONENTS OF PULLER SETS ATTACHMENTS

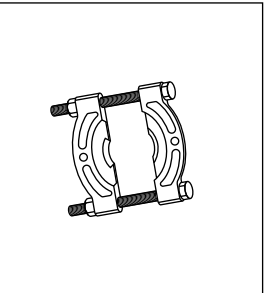
Puller Set Attachments	BHP-1772	BHP-262	BHP-362	BHP-562
Capacity	8 ton	20 ton	30 ton	50 ton
5 Slotted Crosshead	HP-1103	HP-2103	HP-3104	HP-5103
6 Bearing Cup Pull.	BHP-180	BHP-280	BHP-380	BHP-580
7 Bearing Puller.	BHP-181	BHP-282	BHP-382	BHP-582
8 Leg End Kit (includes 2 leg ends)	HP-2009	HP-2009	HP-3039	--
9 Leg Reducer Kit (includes 4 leg ends)	HP-2031	HP-2031	HP-3041	--
10 Leg Nut Kit (includes 2 nuts)	HP-2001	HP-2001	HP-3031	HP-5001
11 Leg 1)	HP-1136 (2x) HP-1137 (2x)	HP-2006 (2x) HP-2007 (2x) HP-2008 (2x) HP-2012 (2x)	HP-3036 (2x) HP-3037 (2x) HP-3038 (2x)	HP-5007 (2x) HP-5008 (2x)
12 Adjusting Rod	HP-1111	HP-2111	HP-3111	HP-5111
16 Slide Plate	HP-1105 (2x)	HP-2105 (2x)	HP-3135 (2x)	HP-5102 (2x)
17 Threaded Saddle	--	HP-2015	HP-3015	HP-5016
18 Washer Kit (includes 2 washers)	HP-1102	HP-2002	HP-3032	--
20 Mounting Screw Kit (includes 2 screws)	HP-1213	HP-2113	HP-3113	HP-5113



1) See Leg Lengths table on page 11 for additional information.

TABLE F - INDIVIDUAL COMPONENTS OF BEARING PULLER

Bearing Puller	BHP-181	BHP-282	BHP-382	BHP-582
Capacity	8 ton	20 ton	30 ton	50 ton
Rod	BHP181K	BHP282K	BHP582K	
Rod Nut				



EIS 65.100-1 08/16 Rev. G

1.0 INSTRUCTIONS IMPORTANTES LORS DE LA RECEPTION

Inspecter visuellement tous les composants afin de détecter d'éventuels dommages causés pendant le transport. Les dommages causés pendant le transport ne sont pas couverts par la garantie. S'il y a des dégats matériels en avertir immédiatement le transporteur. Le transporteur est responsable pour tous les frais de réparation et de remplacement qui résulteraient de dommages causés pendant le transport.

SECURITE D'ABORD

Lire attentivement toutes les instructions, les informations marquées "avertissement" et "attention". Pour éviter les blessures et la détérioration du matériel pendant l'utilisation du système, suivre toutes les recommandations pour la sécurité. Enerpac ne peut être tenu responsable en cas de blessures et de détériorations qui résulteraient d'une manipulation dangereuse du produit, d'un manque de maintenance ou d'une utilisation incorrecte du produit et/ou du système. En cas de doute concernant les précautions recommandées ou les applications, contacter Enerpac. **POUR BENEFICIER DE VOTRE GARANTIE, N'UTILISER QUE DE L'HUILE HYDRAULIQUE ENERPAC.**

2.0 DESCRIPTION DU PRODUIT

Les extracteurs Enerpac de la série BHP sont composés essentiellement d'une pompe à main, d'un vérin simple effet, d'un manomètre, d'un adaptateur manomètre, d'un flexible, de raccords rapides, d'outils spécifiques et d'accessoires.

Les extracteurs sont conçus pour monter ou démonter toutes les pièces montées à la presse ou à chaud telles engrenages, poulies, roues, roulements, manchons, pignons, axes et autres pièces récalcitrantes.

Les extracteurs Enerpac de la série BHP sont disponibles en divers ensembles: extracteur à griffes (voir paragraphe 2.1), extracteur à tirants (voir paragraphe 2.2) et extracteur universel (voir paragraphe 2.3).

En option, des jeux d'accessoires permettent d'augmenter la souplesse d'exécution du travail lors de l'utilisation des extracteurs à griffes et des extracteurs à tirants. Pour les composants des accessoires pour extracteurs voir les tables D et E pages 11 et 12.

2.1 Ensembles extracteur à griffes

Les ensembles extracteur à griffes BHP-152, BHP-251G, BHP-351G et BHP-551G s'utilisent pour enlever et installer engrenages, roulements, poulies et autres pièces similaires. Voir fig.1 page 15: les extracteurs à griffes peuvent s'utiliser avec une tête à 2 griffes ou une tête à 3 griffes. Pour les composants voir table A page 7.

2.2 Ensembles extracteur à tirants

Les ensembles extracteur à tirants BHP-162, BHP-261G, BHP-361G et BHP-561G s'utilisent pour enlever et installer engrenages, poulies, manchons et douilles. Ces extracteurs peuvent également s'utiliser pour extraire les roulements par leur cage intérieure (au moyen de l'extracteur intérieur) comme indiqué fig.2 page 15 ou avec un collier extracteur voir fig.3 page 15.

Lorsque l'absence d'espace libre empêche une utilisation directe des griffes de l'extracteur, il est possible d'utiliser l'extracteur en combinaison avec l'accessoire collier extracteur comme illustré fig.4 page 16. Les colliers extracteurs ont les bords biseautés pour permettre de placer les griffes de l'extracteur derrière l'engrenage ou le palier difficile à atteindre. Voir les composants table B page 9.

2.3 Ensembles extracteur universel

Les ensembles extracteur universel BHP-1752, BHP-2751G, BHP-3751G et BHP-5751G sont une combinaison de l'ensemble extracteur à griffes et de l'ensemble extracteur à tirants cités ci-dessus, ils permettent un maximum de souplesse en matière de dépose et de remontage dans les opérations de maintenance et de réparations. Voir les composants table C page 10.

3.0 MESURES GENERALES DE SECURITE

L'inobservation des mesures de sécurité et des mises en garde peuvent entraîner la détérioration du matériel et occasionner des dommages corporels.



AVERTISSEMENT: NE PAS dépasser 50% de la capacité nominale de l'extracteur lorsque ce dernier est utilisé avec une tête à deux griffes, et ne pas dépasser 350 bars (5,000 psi) de pression lorsque l'extracteur hydraulique est utilisé dans cette application.



AVERTISSEMENT: NE PAS dépasser 50% de la capacité nominale de l'extracteur lorsque les tirants sont utilisés en combinaison avec l'accessoire collier extracteur, et ne pas dépasser 350 bars de pression (5,000 psi) lorsque l'extracteur hydraulique est utilisé dans cette application.



IMPORTANT: Il est recommandé d'utiliser la tête à trois griffes, elle permet une prise plus sûre, une répartition plus égale de la force de traction et est plus stable que la tête à deux griffes.



AVERTISSEMENT: Pour éviter les blessures et une possible détérioration de l'équipement, s'assurer que tous les composants hydrauliques sont capables de résister à une pression de travail de 700 bars (10,000 psi).



IMPORTANT: Installer des manomètres dans chaque système hydraulique pour pouvoir contrôler et ne pas dépasser les charges admises pour travailler en toute sécurité.



AVERTISSEMENT: S'assurer que tous les composants du système sont à l'abri d'influences extérieures telles qu'échauffement excessif, flamme, partie mobile d'une machine, bord coupant, produit chimique corrosif, pouvant causer des détériorations.



PRECAUTION A PRENDRE: Afin d'éviter des contraintes et des surpressions dans les circuits, éviter les courbures à rayon faible ainsi que les torsions sur les flexibles. Ces conditions d'utilisation entraînent une usure prématurée des tuyauteries.



AVERTISSEMENT: Ne pas toucher aux flexible sous pression. En cas de fuite, l'huile sous pression peut pénétrer la peau, causant des blessures graves. En cas d'injection d'huile sous la peau, consulter immédiatement un médecin.



AVERTISSEMENT: L'utilisateur doit se prémunir contre les blessures que pourraient provoquer des débris projetés lors de la casse de l'outil ou de la pièce.



AVERTISSEMENT: NE PAS utiliser cet équipement dans des circonstances où une chute de pression soudaine pourrait provoquer une perte d'équilibre source de détérioration ou de blessure.



AVERTISSEMENT: NE PAS surcharger l'équipement. Utiliser l'extracteur de capacité adéquate. Si après avoir appliqué la force maximale la pièce ne bouge pas, utiliser un extracteur de plus grande capacité. Ne pas exercer de chocs répétés.



IMPORTANT: Il est impossible de prévoir la force d'extraction exacte nécessaire dans chaque situation. Elle peut varier grandement d'un travail à l'autre. Les configurations du montage ainsi que la dimension, la forme et l'état de la pièce à extraire sont variables et doivent être prises en considération. Etudier chaque application avant de sélectionner l'extracteur.



IMPORTANT: Appliquer la force graduellement. Aligner les tirants et les griffes de l'extracteur. S'assurer de la rigidité du montage, l'extracteur doit être d'équerre avec la pièce.



AVERTISSEMENT: Remplacer immédiatement les pièces usées ou endommagées par des pièces d'origine Enerpac. Les pièces de qualité ordinaire casseront et seront cause de détériorations et de blessures. Les pièces Enerpac sont conçues pour s'adapter parfaitement et pour résister aux charges élevées.

4.0 INSTALLATION

4.1 Extracteurs à griffes

La figure 5 page 6 montre comment assembler votre extracteur à griffes. Les numéros repère de la fig. 5 correspondent aux numéros de pièces de la table A page 7.

4.2 Colliers extracteurs

La fig. 6 page 8 montre comment assembler votre collier extracteur. Les numéros repère de la fig. 6 correspondent aux numéros de pièce de la table B.

4.3 Extracteurs intérieurs

La figure 7 page 8 montre comment assembler votre extracteur intérieur. Les numéros repère de la fig. 7 correspondent aux numéros de pièce de la table B.

5.0 OPERATION



IMPORTANT: L'opérateur doit impérativement avoir une connaissance complète de toutes les instructions, règles de sécurité et des précautions à prendre avant de commencer à manipuler une partie quelconque de cet équipement de grande puissance. En cas de doute, contacter Enerpac.

5.1 Avance et retour de la tige du vérin

Tous les ensembles extracteur BHP sont équipés d'un vérin simple effet, à rappel par ressort, et d'une pompe à main. Pour les instructions d'utilisation complètes, voir le feuillet d'instruction fourni avec chaque pompe et vérin.

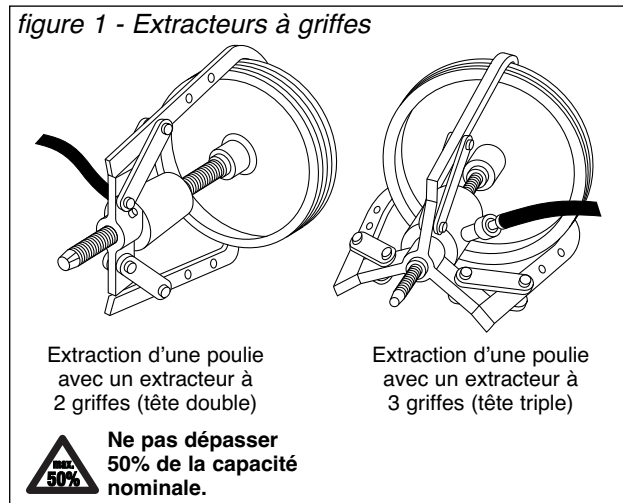
Pour actionner les vérins simple effet, les pompes à main sont munies d'une valve de décharge permettant de libérer la pression. Fermer la valve de décharge, actionner le levier de la pompe pour avancer la tige du vérin. Le retour de la tige du vérin s'obtient en ouvrant la valve de décharge.

5.2 Désaérer le système

Faire sortir et rentrer la tige du vérin plusieurs fois en évitant de monter en pression. Lorsque la tige du vérin se déplace sans discontinuité le système est désaéré.

5.3 Utilisation des extracteurs à griffes

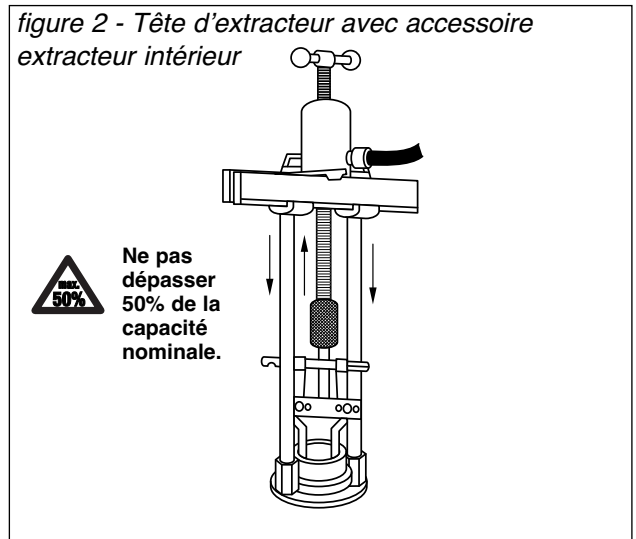
Monter l'extracteur comme indiqué fig.1 et 5 page 6.



L'extracteur à trois griffes permet une prise plus stable et plus sûre, une force d'extraction plus équilibrée, que l'extracteur à deux griffes. Avec un extracteur à deux griffes ne pas dépasser 50 % de sa capacité nominale. Commencer à pomper, appliquer graduellement la pression hydraulique pour enlever la pièce.

5.4 Utilisation de l'extracteur intérieur

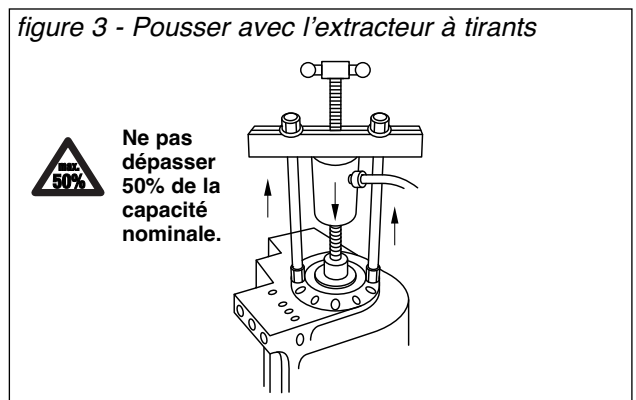
Monter l'extracteur, muni de l'extracteur intérieur, comme indiqué fig.2 et fig.7 page 8. Positionner les tirants et les griffes, appliquer graduellement la pression hydraulique pour enlever la pièce.



5.5 Utilisation de l'extracteur à tirants

Pour tirer: Le vérin doit être placé au dessus de la tête de l'extracteur. Positionner les tirants et la tige filetée réglable, appliquer graduellement la pression hydraulique pour enlever la pièce.

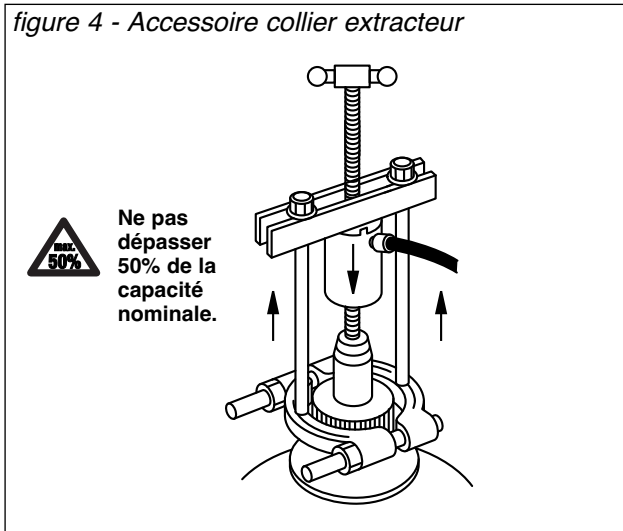
Pour pousser: Monter l'extracteur comme indiqué figure 3 à page 15. Observer que le vérin doit être placé sous la tête de l'extracteur. Positionner les tirants et la tige filetée réglable, appliquer graduellement la pression hydraulique pour enlever la pièce.



5.6 Utilisation de l'accessoire collier extracteur

L'accessoire collier extracteur peut être utilisé en combinaison avec l'extracteur à tirants, comme indiqué figure 4 et figure 6 page 8.

figure 4 - Accessoire collier extracteur



6.0 MAINTENANCE ET SERVICE

Une opération de maintenance est nécessaire en cas de fuite d'huile ou d'usure. Il faut inspecter régulièrement tous les composants pour détecter toute anomalie nécessitant une intervention de maintenance ou de service. Enerpac propose des jeux de pièces de remplacement ou pour la réparation. Contacter Enerpac.



IMPORTANT: La maintenance d'un équipement hydraulique ne doit être effectuée que par un technicien qualifié. Pour une réparation, contacter l'atelier agréé Enerpac de votre région.

- Vérifier périodiquement tous les composants afin de détecter toute anomalie nécessitant une intervention de maintenance et de service. Remplacer immédiatement les pièces endommagées.
- La température de l'huile ne doit pas dépasser 60°C [140 °F].
- Maintenir les composants hydrauliques dans un état de propreté.
- Veiller à garder votre équipement en bon état. Nettoyer et lubrifier fréquemment la tige filetée réglable et les griffes de l'extracteur, du filetage à l'extrémité, pour obtenir un bon fonctionnement et une longue durée de vie.
- Inspecter périodiquement le système hydraulique, à la recherche de fuites éventuelles et de raccords desserrés.
- Changer l'huile hydraulique du système comme il est conseillé dans la notice d'emploi de la pompe.

EIS 65.100-1 08/16 Rev. G

1.0 WICHTIG FÜR DIE ÜBERNAHME

Alle Bestandteile visuell überprüfen, da Transportschäden nicht in der Garantie enthalten sind. Sollten Sie Transportschäden feststellen, benachrichtigen Sie bitte sofort die Speditionsfirma. Diese haftet für alle Reparatur- und Austauschkosten, die durch eine Beschädigung während des Transport entstehen.

SICHERHEIT IST OBERSTES GEBOT

Lesen Sie alle Anleitungen, Warnungen und Vorsichtsmaßnahmen sorgfältig durch. Befolgen Sie sämtliche Sicherheitsvorschriften, um Personen- oder Sachschäden während des Betriebs zu vermeiden. Enerpac haftet nicht für Schäden oder Verletzungen, die durch ungenügende Beachtung der Sicherheitsvorschriften, unzulängliche Wartung oder schlechte Produkt- bzw. Systembedienung entstanden sind. Wenn Sie noch Fragen zu den Sicherheits- und Anwendungsvorschriften haben, wenden Sie sich bitte an Enerpac.

AUS GARANTIEGRÜNDEN DARF NUR ENERPAC HYDRAULIKÖL VERWENDET WERDEN.

2.0. PRODUKTBESCHREIBUNG

Die BHP-Abzugsätze von Enerpac bestehen im Prinzip aus einer Handpumpe, einem einfachwirkenden Zylinder, einem Manometer, einem Manometer-Zwischenstück, einem Schlauch, Kupplungen, spezifischen Werkzeugen und Zubehör. Die Abzugsätze sind geeignet für die Installation und Entfernung aller Druck- und Schweißverbindungen wie Getriebe, Riemenscheiben, Räder, Kugellager, Buchsen, Kettenradzähne, Nägel und andere hartnäckige Teile.

Die BHP-Abzugsätze von Enerpac sind erhältlich als Abzugsätze mit Zugarmen (siehe Absatz 2.1), Jochabzugsätze (siehe Absatz 2.2) und Universal-Abzugsätze (siehe Absatz 2.3). Zubehör für Jochabzugsätze sind zusätzliche Teile, die den Anwendungsbereich von Abzugsätzen mit Zugarmen und Jochabzugsätzen vergrößern. Siehe Tabelle D und E auf Seite 11 und 12 für die einzelnen Komponenten der Jochabzugsätze.

2.1 Abzugsätze mit Zugarme

BHP-152, BHP-251G, BHP-351G und BHP-551G sind geeignet für die Entfernung und Installation von Getrieben, Lagern, Buchsen und ähnlichen Teilen. Siehe Abbildung 1 auf Seite 19: Abzugsätze mit Zugarmen können mit zweiarmigem Kreuzkopf (2 Zugarme) oder dreiarmigem Kreuzkopf (3 Zugarmen) eingesetzt werden. Für einzelne Teile siehe Tabelle A auf Seite 7.

2.2 Jochabzugsätze

BHP-162, BHP-261G, BHP-361G und BHP-561G sind geeignet für die Installation und Entfernung von Getrieben, Riemenscheiben, Buchsen und Muffen. Sie können ebenfalls als Lagerschachtabzieher (eingebaute Abzieher) eingesetzt, siehe Abbildung 2 auf Seite 19, oder als Lagerabzieher, siehe Abbildung 3 auf Seite 19 verwendet werden.

In Situationen, wo der Spielraum die direkte Anwendung von Abziehern mit Zugarmen verhindert, kann ein Abzieher in Kombination mit Zubehör für Jochabzugsätze (siehe Abbildung 4 auf Seite 20) eingesetzt werden.

Das Zubehör für Jochabzugsätze hat keilförmige Kanten, damit der Abzieher hinter dem schwer erreichbaren Getriebe oder Lager plaziert werden kann. Siehe Tabelle B auf Seite 9 für Einzelkomponenten.

2.3 Universal-Abzugsätze

BHP-1752, BHP-2751G, BHP-3751G und BHP-5751G Universal-Abzugsätze sind eine Kombination der genannten Abzugsätze mit Zugarmen und Jochabzugsätzen, die zur Erweiterung des Anwendungsbereiches im Hinblick auf Zug- und Preßkraft bei Wartung und Temperaturen beitragen. Für einzelne Teile siehe Tabelle C auf Seite 10.

3.0 ALLGEMEINE SICHERHEITSVORSCHRIFTEN

Die Nichtbeachtung folgender Vorsichtsmaßnahmen und Warnungen kann Materialschäden oder Verletzungen von Personen zur Folge haben.



WARNUNG: Überschreiten Sie niemals 50% der Nominalleistung des Zylinders, wenn Sie einen zweiarmigen

Kreuzkopf (2 Zugarme) verwenden. Überschreiten Sie niemals 350 bar, wenn Sie einen hydraulischen Abzieher verwenden.



WARNUNG: Überschreiten Sie niemals 50% der Nominalleistung des Zylinders, wenn Sie die Zugarme in Kombination mit Zubehör für Lagerabzieher verwenden. Überschreiten Sie niemals 350 bar, wenn Sie einen Hydraulikabzieher verwenden.



WICHTIG: Es empfiehlt sich, für einen sichereren Griff und eine größere Zugkraft einen dreiarmligen Kreuzkopf (drei Zugarme) zu benutzen. Außerdem ist er stabiler als der zweiarmlige Kreuzkopf mit zwei Zugarmen.



WARNUNG: Vergewissern Sie sich, daß alle hydraulischen Komponenten einem Höchstdruck von 700 bar standhalten können. Andernfalls könnten Personen und Geräteschaden die Folge sein.



WICHTIG: Benutzen Sie in Jedem hydraulischen System Hydraulik-Manometer. Dies ermöglicht eine Kontrolle des Hydrauliksystems und zeigt die Abläufe an.



WARNUNG: Vergewissern Sie sich, daß alle Systemkomponenten vor äußeren Schadenquellen geschützt sind, wie z.B. übermäßige Hitze, Feuer, bewegende Maschinenteile, scharfe Kanten und korrosive Chemikalien.



VORSICHT: Hydraulikschläuche niemals knicken. Niemals über die Schläuche fahren und schwere Gegenstände auf die Schläuche fallen lassen.



VORSICHT: Keine Schläuche anfassen, die unter Druck stehen. Öl, das unter Druck ausspritzt, kann die Haut durchdringen und schwere Verletzungen verursachen. Falls Öl unter die Haut gelangt, sofort eine Arzt befragen.



WARNUNG: Der Bediener muß sich gegen Verletzungen durch herumfliegende Teile auf Grund fehlerhaften Funktionierens des Werkzeugs oder des Materials schützen.



WARNUNG: Benutzen Sie die Geräte nicht in Situationen, in denen ein plötzlicher Druckausstoß zu Gleichgewichtsverlust und/oder zu Verletzungen und Sachschäden führen kann.



WARNUNG: Überlasten Sie die Geräte nicht. Verwenden Sie den richtigen Abzieher. Wenn Sie die maximale Zugkraft eingesetzt haben und sich das Teil nicht entfernen läßt, müssen Sie einen Abzieher mit einer höheren Kapazität verwenden. Forcieren Sie nicht.



WICHTIG: Es ist unmöglich, für jede Abzugsituation die genaue Zugkraft einzuschätzen. Die Festigkeit der Druckverbindungen und die Kraft zur Entfernung kann pro Arbeit variieren. Montagebedingungen sowie Größe, Umfang und Kondition der Teile die abgezogen werden müssen, sind Variablen, die berücksichtigt werden müssen. Untersuchen Sie die Anwendungsmöglichkeiten, bevor Sie Ihren Abzieher wählen.



WICHTIG: Dosieren Sie die Zugkraft. Richten Sie Abziehbeine und Zugarme. Vergewissern Sie sich, daß die Aufstellung stabil ist und der Abzieher mit dem Teil übereinstimmt.



ENERPAC WARNUNG: Ersetzen Sie sofort alle verschlissenen oder beschädigten Teile mit original Enerpac Ersatzteilen. Andere Teile würden auseinanderbrechen und Verletzungen und Sachschäden verursachen. Die Enerpac Teile passen und können hohen Belastungen ausgesetzt werden.

4.0 INSTALLATION

4.1 Abzieher

Abbildung 5 auf Seite 6 zeigt, wie der Abzieher montiert werden muß. Die Zahlen in Abb. 5 stimmen mit den numerierten Teilen in Tabelle A überein.

4.2 Jochabzugsätze

Abbildung 6 auf Seite 8 zeigt, wie der Jochabzugsatz montiert werden muß. Die Zahlen in Abbildung 6 stimmen mit den numerierten Teilen in Tabelle B überein.

4.3 Eingebaute Abzieher

Abbildung 7 auf Seite 8 zeigt, wie der eingebaute Abzieher montiert werden muß. Die Zahlen in Abbildung 7 stimmen mit den numerierten Teilen in Tabelle B überein.

5.0 BEDIENUNG



WICHTIG: Der Bediener muß alle Anleitungen, Sicherheitsvorschriften, Vorsichtsmaßnahmen und Warnungen kennen, bevor er eines dieser Hochdruck Arbeitsgeräte bedient. Setzen Sie sich im Zweifelsfall mit Enerpac in Verbindung.

5.1 Aus- und Einfahren des Zylinders

Alle BHP-Abzugsätze sind mit einem einfachwirkenden, Federrückzug-Zylinder sowie einer Handpumpe ausgerüstet. Für vollständige Instruktionen verweisen wir auf die Bedienungsanleitung, die jeder Pumpe mitgeliefert wird.

Handpumpen zur Bedienung einfachwirkender Zylinder besitzen ein Wegeventil zur Betätigung der Funktionen Ausfahren/Halt/Einfahren. Wird dieses Ventil auf Ausfahren gestellt und der Pumpengriff zunächst hochgezogen und dann hinuntergedrückt, fährt der Zylinder aus. Öffnet man das Ventil, fährt der Zylinder ein.

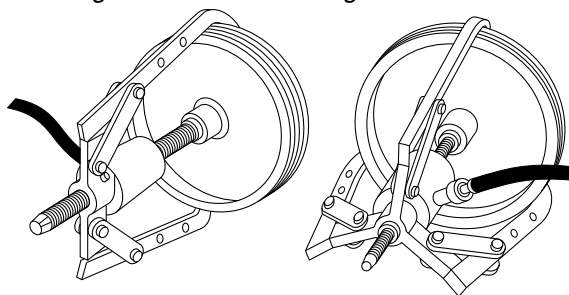
5.2 Entlüften des Systems

Fahren Sie den Zylinder mehrmals ohne Last ein und aus und stellen Sie dabei die Pumpe höher als den Zylinder. Das System ist entlüftet, wenn der Zylinder gleichmäßig ein- und ausfährt.

5.3. Die Anwendung von Abzieher

Montieren Sie das Gerät wie in Abb. 1 unten und Abb. 5 Seite 6 angegeben wird. Der Abzieher mit drei Armen bietet einen stabileren und sichereren Griff mit mehr Zugkraft als der Abzieher mit zwei Armen. Überschreiten Sie mit dem zweiarmigen Abzieher niemals 50% der geltenden Zugkraftkapazität. Fangen Sie an zu pumpen und dosieren Sie den Druck, damit Sie das Teil entfernen können.

Abbildung 1 - Abzieher mit Zugarmen



Entfernung der Riemenscheibe mit Hilfe eines Abziehers mit zwei Klemmbacken (2-armiger Kreuzkopf)

Entfernung der Riemenscheibe mit Hilfe eines Abziehers mit drei Klemmbacken (3-armiger Kreuzkopf)



Überschreiten Sie niemals 50% der Nominalleistung.

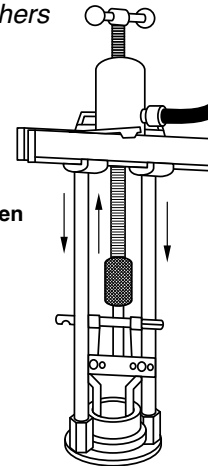
5.4 Die Anwendung von Lagerschalenabziehern

Montieren Sie das Gerät wie in Abb. 2 unten und Abb. 7 Seite 8 mit dem eingebauten Abzieher mit Zugarmen. Bringen Sie die Zugarme und Einstellmutter an und dosieren Sie den Druck zur Entfernung des Teils.

Abbildung 2 - Kreuzkopfabzieher mit Zubehör des Lagerschalenabziehers



Überschreiten Sie niemals 50% der Nominalleistung



5.5 Die Anwendung von Jochabziehern

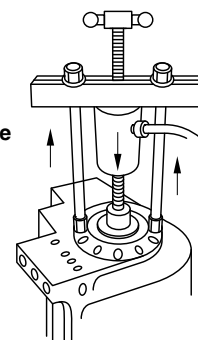
Abziehen: Sorgen Sie dafür, daß sich der Zylinder über dem Joch befindet. Bringen Sie die Zugarme und Einstellmutter an und dosieren Sie den Druck zur Entfernung des Teils.

Pressen: Montieren Sie das Gerät wie in Abb. 3. Sorgen Sie dafür, daß sich der Zylinder unter dem Joch befindet. Bringen Sie die Zugarme und Einstellmutter an und dosieren Sie den Druck zur Entfernung des Teils.

Abbildung 3 - Pressen mit dem Jochabzieher



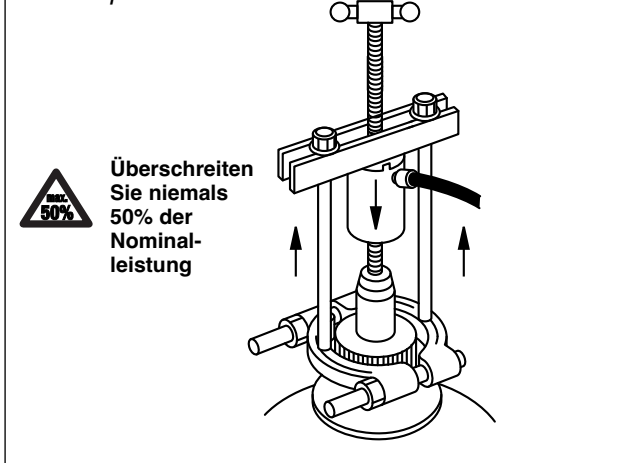
Überschreiten Sie niemals 50% der Nominalleistung



5.6 Die Anwendung mit dem Lagerabziehvorrichtung

Das Zubehör der Lagerabzieher kann eingesetzt werden in Kombination mit dem Jochabzieher aus Abbildung 4 unter und Abbildung 6 Seite 8.

Abbildung 4 - Befestigungen für Lagerabzieher mit Kreuzkopfabzieher



6.0 WARTUNG UND SERVICE

Die Wartung ist erforderlich, wenn Verschleiß oder Leckage festgestellt werden. Kontrollieren Sie regelmäßig alle Teile, um wartungs- und servicebedürftige Teile zu entdecken. Enerpac liefert gebrauchsfertige Ersatzteil-Ausstattungen für Reparatur und/oder Auswechslungen. Nehmen Sie Kontakt mit Enerpac auf.



WICHTIG: Ein hydraulisches Gerät darf nur von einem qualifizierten Hydrauliktechniker gewartet werden. Für Reparaturarbeiten wenden Sie sich bitte an das zuständige Enerpac Service Center in Ihrem Bezirk.

- Kontrollieren Sie regelmäßig alle Teile, um wartungs- und servicebedürftige Teile zu entdecken. Ersetzen Sie umgehend schadhafte Teile.
- Die Öltemperatur sollte 60°C nicht überschreiten.
- Sorgen Sie für die Sauberkeit aller hydraulischen Teile.
- Halten Sie Ihre Ausrüstung in guter Kondition. Reinigen und schmieren Sie die Einstellmutter und Zugarme regelmäßig vom Gewinde bis zur Spitze, damit ein guter Betrieb und eine lange Lebensdauer gewährleistet sind.
- Prüfen Sie das hydraulische System regelmäßig auf lockere Verbindungen und Leckage.
- Wechseln Sie das Öl in Ihrem hydraulischen System, wie in der Pumpen-Betriebsanleitung angegeben.

EIS 65.100-1 08/16 Rev. G

1.0 ISTRUZIONI AL RICEVIMENTO

Controllare visivamente tutti i componenti per accertare eventuali danni derivanti dal trasporto. Se del caso, sporgere subito reclamo al trasportatore.

I danni di trasporto non sono coperti dalla garanzia. Il trasportatore è responsabile degli stessi e deve rispondere di tutte le spese e costi per la rimessa in efficienza del materiale.

SICUREZZA, anzitutto !!!

Leggere attentamente tutte le ISTRUZIONI, le PRECAUZIONI ed ATTENZIONI che si devono osservare per ciascun prodotto. Seguire fedelmente tutte le prescrizioni di SICUREZZA per evitare infortuni alle persone e danni alle cose.

L'ENERPAC non è responsabile per incidenti e danni causati dal mancato rispetto delle Norme di Sicurezza, dall'uso e dall'applicazione impropria del prodotto o della sua mancata manutenzione. In caso di dubbio contattare direttamente l'ENERPAC o i suoi rappresentanti. PER SALVAGUARDARE LA VOSTRA GARANZIA, USARE SEMPRE E SOLO OLIO ENERPAC.

2.0 DESCRIZIONE DEL PRODOTTO

Gli estrattori oleodinamici della serie BHP dell'Enerpac sono normalmente composti da una pompa a mano, un cilindro a semplice effetto, un manometro, un adattatore per manometro, un tubo flessibile, raccordi speciali ed accessori.

Gli estrattori sono raccomandati per l'installazione e la rimozione di tutte le parti accessorie a pressione e a caldo come ingranaggi, pulegge, ruote, cuscinetti, manicotti, perni ed altre parti difficilmente rimovibili.

Gli estrattori oleodinamici della BHP dell'Enerpac sono disponibili nei tipi: estrattori oleodinamici a griffe (consultare paragrafo 2.1), estrattori oleodinamici a tiranti (paragrafo 2.2) e estrattori oleodinamici universali (paragrafo 2.3).

Gli accessori sono parti addizionali che consentono l'ulteriore aumento della flessibilità d'impiego sul lavoro degli estrattori oleodinamici a griffe e a tiranti. Per informazioni dettagliate sugli accessori degli estrattori vedere tabelle D e E sulle pagine 11 e 12.

2.1 Estrattori oleodinamici a griffe

Gli estrattori oleodinamici a griffe BHP-152, BHP-251G, BHP-351G e BHP-551G, sono raccomandati per la rimozione e l'installazione di ingranaggi, cuscinetti, pulegge e altri particolari simili. Consultare l'illustrazione 1 a pagina 23: gli estrattori a griffe sono utilizzabili sia con la traversa a 2 che con quella a 3 griffe. Consultare la tabella A a pag. 7 per i componenti singoli.

2.2 Estrattori oleodinamici a tiranti

Gli estrattori oleodinamici a tiranti BHP-162, BHP-261G, BHP-361G e BHP-561G sono raccomandati per la rimozione e l'installazione di ingranaggi, cuscinetti, pulegge, manicotti e boccole. Questi estrattori possono anche essere dotati di morsetto per interni, come mostra l'illustrazione 2 a pagina 23 o come morsetto per esterni come mostrano le illustrazione 3 a pagina 23.

In situazioni dove lo spazio impedisce l'impiego diretto di estrattori oleodinamici a griffe, è possibile usare l'estrattore in combinazione con un morsetto per esterni come mostra l'illustrazione 4 a pagina 24. Gli accessori del morsetto per esterni sono dotati di orlo a forma di cuneo per posizionare l'estrattore dietro l'ingranaggio o il cuscinetto di difficile accesso. Consultare la tabella B a pagina 9 per i componenti singoli.

2.3 Estrattori oleodinamici universali

Gli estrattori oleodinamici universali BHP-1752, BHP-2751G, BHP-3751G e BHP-5751G sono una combinazione tra gli estrattori oleodinamici a griffe e gli estrattori oleodinamici a tiranti sopra citati, per una maggiore flessibilità di operazioni di spinta o di trazione durante le manutenzione e riparazioni. Consultare la tabella C a pagine 10 per singoli componenti.

3.0 NORME SULLA SICUREZZA

L'inosservanza delle Norme di Sicurezza (a pag. 22) può causare infortuni e danni all'attrezzatura.



AVVERTENZA: Quando si impiega la traversa per 2 griffe, il carico non può eccedere il 50% della capacità massima dell'estrattore. Non superare i 350 bar quando si impiega un estrattore oleodinamico.



AVVERTENZA: Se si usano i tiranti con l'attacco del morsetto per esterni, il carico non deve superare il 50% della capacità massima dell'estrattore. Non superare i 350 bar quando si impiega un estrattore oleodinamico.



IMPORTANTE: Si raccomanda di usare la traversa a 3 griffe. Questa offre una presa più sicura, una forza di trazione più bilanciata e maggiore stabilità.



AVVERTENZA: Per evitare lesioni personali o danni all'attrezzatura, assicurarsi che tutti i componenti oleodinamici siano idonei ad operare alle pressioni di 700 bar.



IMPORTANTE: Impiegare sempre manometri per il controllo della pressione e della forza sviluppata dal cilindro. Un manometro è la Vostra 'finestra' sul sistema. Vi permette di vedere cosa sta succedendo.



AVVERTENZA: Proteggere tutti i componenti da fonti di calore eccessivo, fiamme libere, parti macchine in movimento, spigoli taglienti ed aggressivi chimici.



PRECAUZIONE: Evitare curve strette e serpentine ai tubi flessibili. Curve troppo strette, causano strozzature nelle tubazioni che possono dar luogo a pericolose contropressioni le quali ne compromettono la durata.



PRUDENZA: Non maneggiare tubi flessibili sotto pressione. Spruzzi d'olio sotto pressione perforano la pelle, causando, serie complicazioni. Se l'olio è penetrato sotto pelle consultare immediatamente un medico.



AVVERTENZA: Indossare indumenti protettivi appropriati quando si impiegano attrezzature oleodinamiche.



AVVERTENZA: Non usare questa apparecchiatura in circostanze dove un improvviso rilascio di pressione può causare uno sbilanciamento con conseguenti danni o lesioni personali.



AVVERTENZA: Non sovraccaricare le apparecchiature. Usare l'estrattore delle giuste dimensioni. Se si usa la forza massima e la parte non si muove, usare un estrattore di maggiore capacità.



IMPORTANTE: Non è possibile prevedere esattamente la forza necessaria per ogni estrazione. Il valore di pressione e di forza di rimozione può variare molto fra le diverse operazioni. Le esigenze di posizionamento, le dimensioni, la forma e le condizioni delle parti da estrarre sono variabili da considerare. Valutare ogni singola applicazione di trazione prima di scegliere il vostro estrattore.



IMPORTANTE: Aumentare gradualmente la forza. Mettere in linea i tiranti dell'estrattore e le griffe. Assicurarsi che il posizionamento sia ben fisso e che l'estrattore sia idoneo all'operazione.



AVVERTENZA: Sostituire immediatamente i pezzi logorati o danneggiati con ricambi originali Enerpac. Parti usurate possono causare ferimenti a persone o danni alle apparecchiature. I componenti Enerpac sono progettati per resistere a carichi elevati.

4.0 INSTALLAZIONE

4.1 Estrattori a griffe

L'illustrazione 5 a pagina 6 mostra come montare l'estrattore a griffe. Le posizioni dell'illustrazione 5 corrispondono con le parti della tabella A a pagina 7.

4.2 Estrattori a tiranti

L'illustrazione 6 a pagina 8 mostra come montare l'estrattore a tiranti. Le posizioni dell'illustrazione 6 corrispondono con le parti della tabella B a pagina 9.

4.3 Estrattori per interni

L'illustrazione 7 a pagina 8 mostra come comporre l'estrattore per interni. Le posizioni dell'illustrazione 7 corrispondono con le parti della tabella B a pagina 9.

5.0 FUNZIONAMENTO



IMPORTANTE: E' indispensabile che l'operatore prima di impiegare le attrezzature, comprenda bene tutte le istruzioni, precauzioni, avvertimenti e norme di sicurezza. In caso di dubbio contattare l'ENERPAC.

5.1 Avanzamento e ritorno del cilindro

Tutti gli estrattori BHP sono dotati di un cilindro con ritorno a molla a semplice effetto e di una pompa a mano. Per la completezza delle istruzioni operative consultare anche quelle delle centraline o delle pompa.

Le pompe manuali utilizzate per il funzionamento di cilindri a semplice effetto sono dotate di una valvola di comando per il rilascio della pressione. Chiudere la valvola di comando, sollevare e abbassare la leva della pompa per fare avanzare il cilindro. Per il ritorno del cilindro, aprire la valvola di comando.

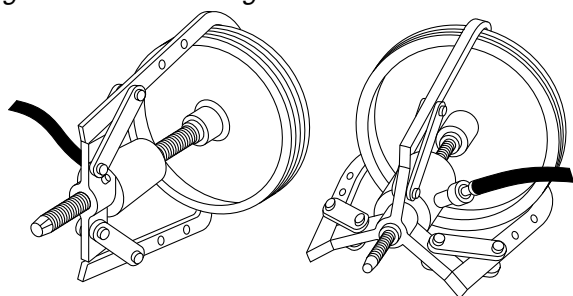
5.2 Spurgo dell'aria

Per spurgare l'aria dai cilindri e tubazioni, far compiere alcuni cicli, senza carico, al cilindro (estensione e rientro). L'aria sarà spurgata completamente quando il cilindro si muoverà in modo uniforme.

5.3 Uso degli estrattori a griffe

Montare l'estrattore come illustra la figura 1 e figura 5 a pagine 6. Ricordarsi che la traversa a 3 griffe fornisce una presa più stabile e più sicura alla forza max. nominale dell'estrattore. Quando si impiega la traversa a 2 griffe, il carico non può superare il 50% della capacità nominale dell'estrattore. Iniziare a pompare ed aumentare la pressione idraulica gradualmente per rimuovere la parte.

figura 1 - Estrattori a griffe



Rimozione di una puleggia con estrattore a 2 griffe
(traversa per 2 griffe)



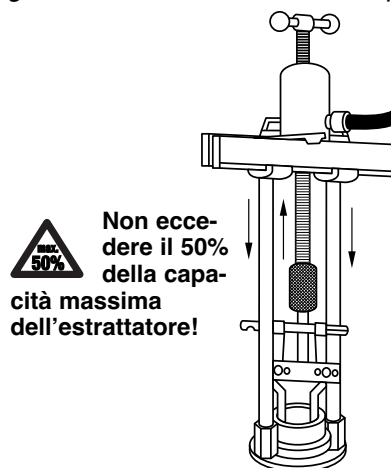
Non eccedere il 50% della capacità massima dell'estrattore!

Rimozione di una puleggia con estrattore a 3 griffe
(traversa per 3 griffe)

5.4 Uso morsetto per interni

Montare l'estrattore come illustra la figura 2 e figura 7 a pagine 8. Allineare i tiranti dell'estrattore e le griffe per interni, aumentare gradualmente la pressione idraulica per rimuovere la parte.

figura 2 - Traversa con morsetto per interni



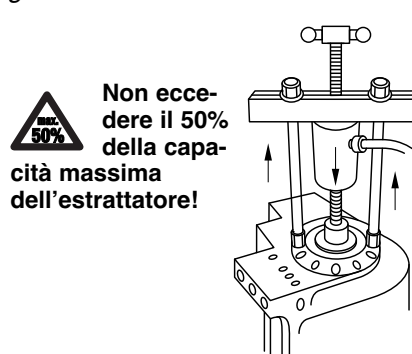
Non eccedere il 50% della capacità massima dell'estrattore!

5.5 Uso dell'estrattore a tiranti

Per rimuovere: Tenere presente che il cilindro deve essere posizionato sotto al giogo dei tiranti. Allineare i tiranti dell'estrattore e la vite di regolazione, aumentare gradualmente la pressione idraulica per rimuovere la parte.

Per calettare: Montare l'estrattore come illustra la figura 3. Tenere presente che il cilindro deve essere posizionato al di sotto del giogo per tiranti. Allineare i tiranti dell'estrattore e la vite di regolazione, aumentare gradualmente la pressione idraulica per calettare la parte.

figura 3 - Calettare con estrattore a tiranti

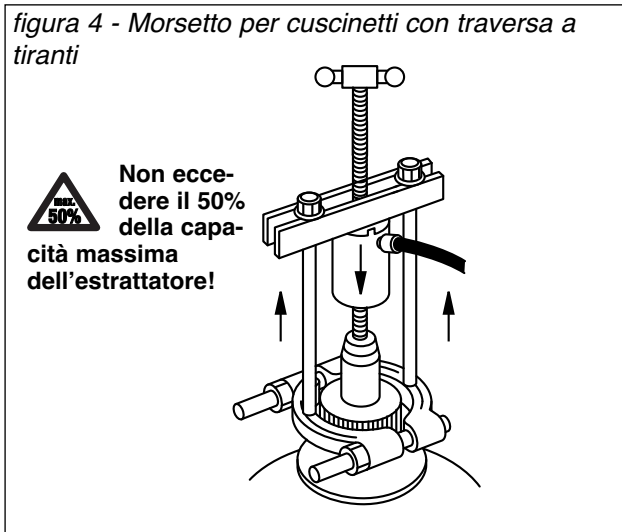


Non eccedere il 50% della capacità massima dell'estrattore!

5.6 Uso del morsetto per esterni con accessori

Gli accessori del morsetto per esterni si usano in combinazione con un estrattore a tiranti o con una traversa come illustrato in figura 4 e figura 6 a pag. 8.

figura 4 - Morsetto per cuscinetti con traversa a tiranti



6.0 MANUTENZIONE

La manutenzione deve intervenire quando si notano usure o perdite d'olio. Periodicamente controllare e ispezionare tutti i componenti per accertarne il loro grado di efficienza. L'ENERPAC offre kit di parti di ricambio pronti all'uso. Documentazioni ed elenchi delle parti di ricambio sono disponibili.



IMPORTANTE: La manutenzione o riparazione delle attrezzature oleodinamiche deve essere demandata a tecnici esperti e qualificati. Per ogni necessità contattare l'ENERPAC o il Centro di Assistenza più vicino alla Vostra Sede.

- Periodicamente controllare tutti i componenti per accertarne lo stato di efficienza. Sostituire immediatamente le parti danneggiate.
- La temperatura dell'olio non deve superare i 60°C.
- Mantenere puliti tutti i componenti oleodinamici.
- Mantenere l'attrezzatura di trazione in buone condizioni. Per un buon funzionamento ed una lunga durata, pulire e lubrificare regolarmente la vite di regolazione dell'estrattore ed i tiranti dalla filettatura fino alla sommità.
- Controllare periodicamente tubi, raccordi ed innesti per prevenire le perdite d'olio.
- Sostituire l'olio idraulico nell'impianto come meglio specificato nelle istruzioni delle pompe.



Instrucciones y Hoja de despiece Extractores BHP y Accesorios

EIS 65.100-1 08/16 Rev. G

1.0 INSTRUCCIONES IMPORTANTES DE ENTREGA

Inspeccione todos los componentes por si hay daños de transporte. Los daños de transporte no están cubiertos por la garantía. Si los hay, deberá comunicarlo de inmediato al transportista. El transportista es responsable de todos los gastos de reparación y repuesto que surjan a consecuencia de los daños de transporte.

LA SEGURIDAD EN PRIMER LUGAR

Lea atentamente todas las instrucciones, notas y advertencias. Tome todas las precauciones necesarias para evitar lesiones y averías durante el funcionamiento del sistema. Enerpac no se responsabiliza por los daños y lesiones que pudieran resultar del uso del producto sin medidas de seguridad, falta de mantenimiento o aplicaciones incorrectos. Póngase en contacto con Enerpac si tiene dudas sobre las precauciones y aplicaciones de seguridad. PARA MANTENER LA GARANTIA, USE EXCLUSIVAMENTE ACEITE HIDRAULICO ENERPAC.

2.0 DESCRIPCION DEL PRODUCTO

Los juegos de extractores de la serie BHP de Enerpac constan básicamente de un bomba manual, un cilindro de simple efecto, un manómetro, una adaptador de manómetro, una manguera, acopladores y herramientas específicas y accesorios. Los extractores han sido diseñados para instalar y extraer toda clase de piezas fijadas a presión o en caliente, tales como engranajes, poleas, ruedas, cojinetes, camisas, manguitos, pernos y demás piezas difíciles de mover.

Los juegos de extractores de la serie BHP de Enerpac se pueden suministrar como: juego de extractores de garra (véase párrafo 2.1), juego de extractores de cojinetes (véase párrafo 2.2) y juegos de extractores polifuncionales (véase párrafo 2.3)

Los accesorios son piezas adicionales para aumentar aún más la flexibilidad durante el trabajo de los extractores de garras y de cojinetes. Véanse los cuadros D y E en las páginas 11 y 12 para una lista de componentes de los juegos de extractores.

2.1 Los extractores de garras

Los extractores de garras BHP-152, BHP-251G, BHP-351G y BHP-551G se pueden usar para extraer y colocar engranajes, cojinetes, poleas y piezas similares. Véase la ilustración 1 en la página 27: los extractores de garra pueden usarse con una cruceta doble (2 garras) o una cruceta triple (3 garras). Véase cuadro A en la página 7 para una lista de los componentes.

2.2 Conjuntos para extracción de cojinetes

Los conjuntos para extracción de cojinetes BHP-162, BHP-261G, BHP-361G y BHP-561G se pueden usar para extraer y calar engranajes, poleas, manguitos y cojinetes. Estos extractores también se pueden usar como extractores de cubos de cojinete (garra interior) como se muestra en la ilustración 2 en la página 27 o como extractores de cojinetes como se muestra en la ilustración 3 de la página 27.

En situaciones en las que el espacio no permite una aplicación directa de las garras, se puede utilizar el extractor en combinación con un accesorio, como se muestra en la ilustración 4 de la página 28. Los accesorios de los extractores de cojinetes tienen bordes en forma de cuña para calzar el extractor detrás del engranaje o cojinete de difícil acceso. Véase el cuadro B de la página 9 para una lista de los componentes.

2.3 Los extractores polifuncionales

Los extractores polifuncionales BHP-1752, BHP-2751G BHP-3751G y BHP-5751G son una combinación de los extractores arriba descritos y ofrecen una flexibilidad máxima en las aplicaciones de extracción e instalación en trabajos de mantenimiento y reparación. Véase el cuadro C de la página 10 para una lista de los componentes.

3.0 SEGURIDAD

El incumplimiento de las siguientes precauciones y avisos (de la página 26) podría causar averías al equipo o lesiones al operador.



AVISO: No exceda la fuerza nominal del extractor cuando use un extractor de cruceta doble (2 garras): no exceda los 350 bar (5,000 psi) cuando use un extractor hidráulico en esta aplicación.



AVISO: No exceda la fuerza nominal del extractor cuando use tirantes en combinación con un accesorio de extracción de cojinetes: no exceda los 350 bar (5,000 psi) cuando use un extractor hidráulico en esta aplicación.



IMPORTANTE: Se recomienda usar una cruceta triple (3 garras) lo que presta un agarre más firme, más fuerza de tiro y más estabilidad que una cruceta doble (2 garras).



¡ATENCIÓN! Para evitar lesiones y averías, asegúrese de que todos los componentes hidráulicos resisten la presión máxima de 700 bar (10,000 psi).



IMPORTANTE: Use siempre un manómetro en cada sistema hidráulico para asegurar fuerzas de trabajo seguras. Un manómetro es su 'ventana' al interior del sistema. Le permite saber que está pasando.



ADVERTENCIA: Asegúrese de que todos los componentes del sistema están protegidos contra posibles causas de averías, tales como temperatura excesiva, llamas, piezas móviles, bordes afilados y productos químicos corrosivos.



PRECAUCION: No doble las mangueras. El radio de curvatura deberá ser mayor de 115 mm. No haga pasar vehículos sobre las mangueras ni deje caer objetos pesados en ellas.



PRECAUCIÓN: No manipule las mangueras presurizadas. El chorro de fluido hidráulico a presión tiene fuerza suficiente para penetrar la piel, causando lesiones graves. Si el fluido penetra en la piel, consulte a un médico de inmediato.



ADVERTENCIA: Lleve ropa protectora adecuada y use siempre gafas de seguridad mientras trabaja con extractores.



PRECAUCION: NO use este equipo en circunstancias en las que una repentina caída de la presión pueda resultar en un desequilibrio; esto podría causar lesiones o daños.



AVISO: NO sobrecargue el equipo. Use el extractor de la medida adecuada. Si después de aplicar la fuerza máxima, aún no se mueve la pieza, tome un extractor de mayor capacidad. Evite que resbale.



IMPORTANTE: Es imposible prever la fuerza exacta necesaria para cada extracción. La presión de la fijación y la fuerza necesaria para retirar una pieza puede variar mucho según el trabajo. Seleccione el equipo de acuerdo con las medidas, la forma y las condiciones de las piezas a extraer que pueden ser muy diversas, lo que se debe tener en consideración. Estudie cada aplicación de extracción antes de seleccionar un extractor.



IMPORTANTE: Aplique la fuerza gradualmente. Alinee los tirantes y las garras. Asegúrese de que la colocación es rígida y que el extractor se adapta bien al trabajo.



ADVERTENCIA: Sustituya de inmediato piezas torcidas o rotas por piezas originales de Enerpac. Las piezas corrientes pueden romperse causando lesiones y averías. Las piezas de Enerpac han sido diseñadas para un ajuste correcto y para resistir grandes fuerzas.

4.0 INSTALACION

4.1 Extractores de garras

La ilustración 5 en la página 6 muestra como debe colocar su extractor de garras. Los números en la ilustración 5 corresponden con las piezas numeradas en el cuadro A en la página 7.

4.2 Extractores de cojinetes

La ilustración 6 (pág. 8) muestra como debe colocar su extractor de cojinetes. Los números en la ilustración 6 corresponden con las piezas numeradas en el cuadro B (pág. 9).

4.3 Extractores interiores

La ilustración 7 (pág. 8) muestra como debe colocar su extractor interior. Los números en la ilustración 7 corresponden con las piezas numeradas en el cuadro B (pág. 9).

5.0 FUNCIONAMIENTO



IMPORTANTE: Es indispensable que el operador conozca a fondo todas las instrucciones, normas de seguridad, precauciones y advertencias antes de empezar a trabajar con cualquiera de estas herramientas de gran fuerza. En caso de duda, póngase en contacto con Enerpac.

5.1 Avance y retracción del cilindro

Todos los conjuntos de extractores BHP están equipados con un cilindro de simple efecto con retorno por muelle y una bomba de mano. Para instrucciones completas del funcionamiento, refiérase a las hojas de instrucción incluidas en cada bomba o cilindro.

Bombas manuales

Las bombas manuales para gobernar cilindros de simple efecto, tienen una válvula de descarga para la presión. Cierre la válvula de descarga, y mueva la palanca para extender el cilindro. Para retraer el cilindro, abra la válvula de descarga.

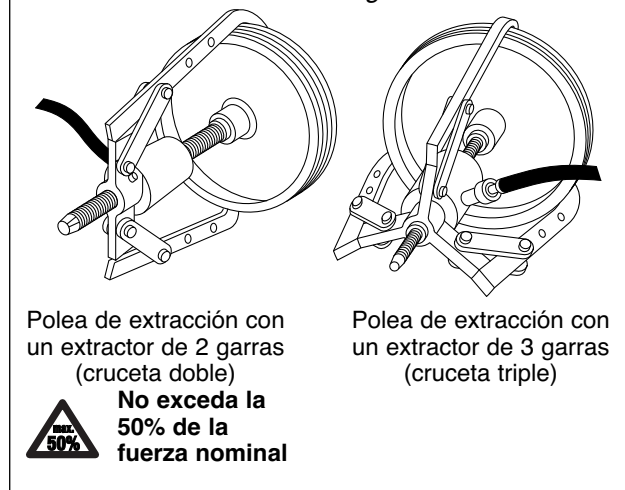
5.2 Purga

Haga avanzar y retroceder el cilindro varias veces, sin que aumente la presión. El aire habrá salido cuando el movimiento del cilindro sea suave.

5.3 Uso de los extractores de garras

Coloque su aplicación como se muestra en la ilustración 1 y ilustración 5 página 6. No olvide que una cruceta triple ofrece un agarre más firme y estable con una fuerza de tiro más uniforme que una cruceta doble. No exceda la mitad de la capacidad nominal del extractor cuando use un extractor con cruceta doble. Empiece a bombear y aplique la presión hidráulica gradualmente para extraer la pieza.

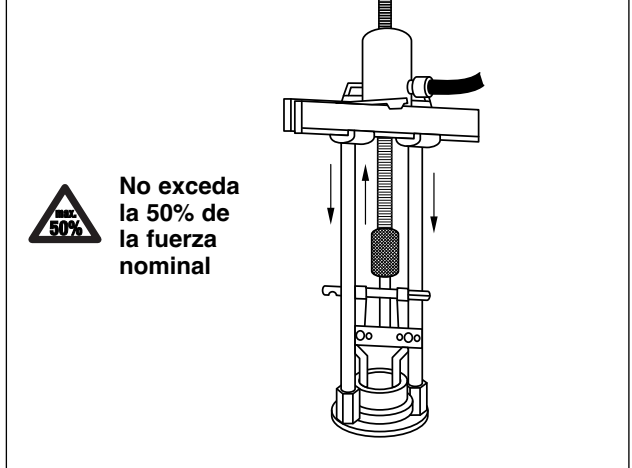
ilustración 1 - Extractores de garras



5.4 Uso de los extractores de cubos de cojinetes

Coloque su aplicación como se muestra en la ilustración 2 y ilustración 7 página 8 con el extractor interior. Alinee los tirantes y las garras y aplique la presión hidráulica gradualmente para extraer la pieza.

ilustración 2 - Cruceta con accesorio de extracción de cubos de cojinete

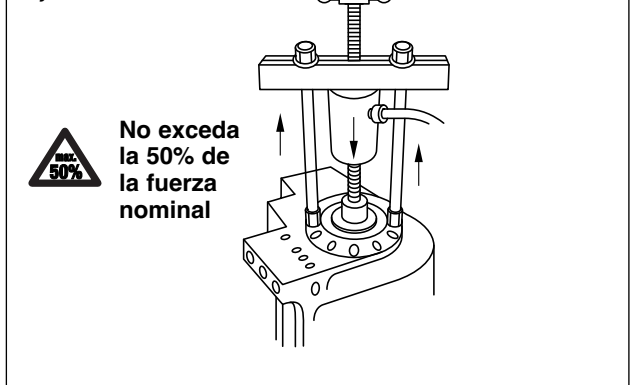


5.5 Uso de los extractores de cojinetes

Para extraer: Tenga en cuenta que el cilindro tiene que quedar posicionado encima de la cruceta ranurada. Alinee los tirantes y los tornillos de ajuste y aplique la presión hidráulica gradualmente para extraer la pieza.

Para empujar: Coloque su aplicación como se muestra en la ilustración 3. Tenga en cuenta que el cilindro tiene que quedar posicionado debajo de la cruceta ranurada. Alinee los tirantes y los tornillos de ajuste y aplique la presión hidráulica gradualmente para quitar la pieza.

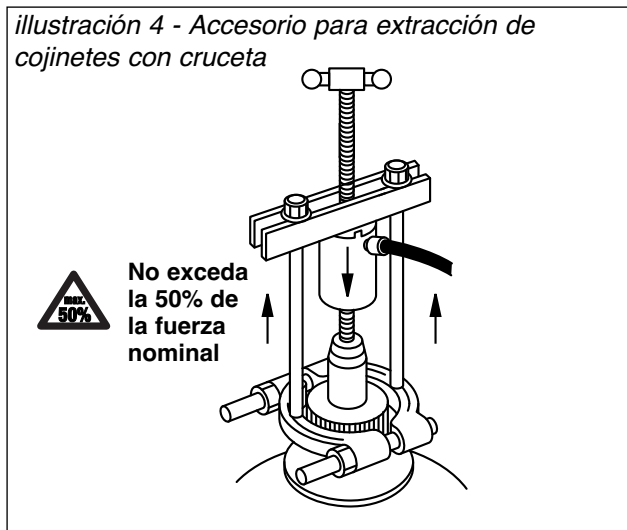
ilustración 3 - Empuje con un extractor de cojinetes



5.6 Uso de los accesorios del extractor de cojinetes

Los accesorios del extractor de cojinetes se usan en combinación con una cruceta como se muestra en la ilustración 4 y ilustración 6 página 8.

ilustración 4 - Accesorio para extracción de cojinetes con cruceta



6.0 MANTENIMIENTO Y SERVICIO

Se precisará mantenimiento cuando se observe algún desgaste o fuga. Inspeccione regularmente todos los componentes para comprobar si existe algún defecto que precise mantenimiento y servicio. Enerpac dispone de piezas de recambio listas para realizar reparaciones y/o sustituciones. Tome contacto con Enerpac.



IMPORTANTE: Sólo personal cualificado deberá cuidar del servicio del sistema hidráulico. Para el servicio de reparaciones, póngase en contacto con un Centro de Servicio Autorizado de Enerpac en su zona.

- Inspeccione regularmente todos los componentes para comprobar si existe algún defecto que precise mantenimiento y servicio. Sustituya inmediatamente cualquier pieza deteriorada.
- La temperatura del aceite no deberá exceder los 60°C [140°F].
- Mantenga todos los componentes hidráulicos bien limpios.
- Mantenga su equipo de extracción en buenas condiciones. Limpie y lubrique con frecuencia los tornillos de ajuste y los tirantes del extractor, desde la rosca hasta la punta, para asegurar un buen funcionamiento y una vida útil prolongada.
- Controle periódicamente el sistema hidráulico por si hay conexiones flotas ó fugas.
- Cambie el aceite hidráulico tal como se recomienda en la hoja de instrucciones de la bomba.

EIS 65.100-1 08/16 Rev. G

1.0 BELANGRIJKE INSTRUCTIES BIJ ONTVANGST

Controleer alle onderdelen op transportschade. Als er sprake is van transportschade waarschuw dan onmiddellijk de vervoerder. Transportschade valt NIET onder de garantie. De vervoerder is aansprakelijk voor alle kosten van reparatie of vervanging als gevolg van beschadiging tijdens vervoer.

VEILIGHEID VOOROP!!

Lees alle opmerkingen, waarschuwingen en instructies, aangebracht op, of verpakt bij elk produkt. Volg alle veiligheidsvoorschriften nauwkeurig op ter voorkoming van persoonlijk letsel en/of schade aan eigendommen, tijdens het in bedrijf stellen en hebben van het systeem.

Enerpac is niet aansprakelijk voor schade of letsel, voortvloeiend uit onveilig gebruik van het produkt, gebrek aan onderhoud, onjuiste produkt en/of systeem toepassing. Neem contact op met Enerpac wanneer er twijfel bestaat over de toepassingen en voorzorgsmaatregelen ten aanzien van de veiligheid. **GEBRUIK ALLEEN ENERPAC OLIE. BIJ GEBRUIK VAN ANDERE OLIE VERVALT UW GARANTIE.**

2.0 PRODUKTBESCHRIJVING

Enerpac BHP-trekkersets bestaan (m.u.v de sets met hulpstukken) uit een handpomp, enkelwerkende cilinder, manometer, manometertussenstuk, slang, koppelingen, trekker gereedschap en toebehoren.

De trekkersets zijn te gebruiken voor de montage en demontage van door middel van perspassingen en krimpverbindingen bevestigde machine-onderdelen zoals tand- en kettingwielen, riemschijven, lagers, bussen en pennen.

Deze gereedschapsets zijn verdeeld in trekkersets (zie § 2.1), brugstuk-lagertreksets (zie § 2.2) en universele trekkersets (zie §2.3).

Verder zijn er sets met hulpstukken en componenten voor nog meer flexibiliteit in onderhouds- en reparatiewerkzaamheden. Deze hulpstukken staan vermeld in de tabellen D en E op blz. 11 en 12.

2.1 Trekkersets

BHP-152, BHP-251G, BHP-351G en BHP-551G trekkersets kunnen worden gebruikt voor het monteren en demonteren van tand- en kettingwielen, lagers, riemschijven enz. In illustratie 1 op blz. 31 zijn de uitvoeringen met twee en drie trekarmen afgebeeld. De losse onderdelen van deze trekkersets staan afgebeeld in illustratie 5 op blz. 6 en de daarbij behorende tabel A op bladzijde 7.

2.2 Brugstuk-lagertrekkersets

BHP-162, BHP-261G, BHP-361G en BHP-561G brugstuk-lagertrekkersets kunnen worden gebruikt voor het monteren en demonteren van tand- en kettingwielen, riemschijven en bussen. Deze treksets zijn ook te gebruiken voor het demonteren van inwendige lagers zoals afgebeeld in illustratie 2 op bladzijde 31. In illustratie 3 op bladzijde 32 zijn deze trekkersets afgebeeld bij het demonteren van lagers.

In situaties waar, door ruimtegebrek het onmogelijk is de draadstangen direct aan een riemschijf, tand- of kettingwiel te bevestigen, kan met behulp van de uitwendige lagertrekker de as uit het tandwiel worden geperst (zie illustratie 4 op blz. 32). De uitwendige lagertrekker is voorzien van wigvormige schalen waardoor dit hulpstuk eenvoudig achter of onder het tandwiel geplaatst kan worden.

De losse onderdelen van de brugstuk-lagertreksets zijn afgebeeld in de illustraties 6 en 7 op bladzijde 8. De daarbij behorende onderdelenlijst tabel B staat op blz. 9.

2.3 Universele trekkersets

De universele trekkersets BHP-1752, BHP-2751G, BHP-3751G en BHP-5751G zijn speciaal samengesteld uit de in paragraaf 2.1 en 2.2 genoemde sets. Hierdoor verkrijgt u optimale flexibiliteit voor het lostrekken en oppersen van onderdelen in vrijwel alle onderhouds- en reparatiewerkzaamheden.

De losse onderdelen staan vermeld en afgebeeld in tabel C op bladzijde 10.

3.0 VEILIGHEIDSINFORMATIE

Ter voorkoming van persoonlijk letsel en beschadigingen aan eigendommen dient u de volgende waarschuwingen en andere belangrijke voorschriften nauwkeurig op te volgen.



WAARSCHUWING: Het 2-armige juk mag slechts belast worden tot 50% van de aangegeven trekcapaciteit; werk in dit geval niet met een hydraulische druk hoger dan 350 bar.



WAARSCHUWING: Trekstangen in combinatie met een uitwendige lagertrekker mogen slechts belast worden tot 50% van de aangegeven trekcapaciteit; werk in dit geval niet met een hydraulische druk hoger dan 350 bar.



BELANGRIJK: Het gebruik van het 3-armige juk is aan te bevelen in plaats van het 2-armige juk. Het 3-armige juk (3 trekarmen) geeft een betere grip, een gelijkmatiger trekkrachtverdeling en meer stabiliteit ten opzichte van het 2-armige juk (2 trekarmen).



WAARSCHUWING: Om persoonlijk letsel en/of schade aan de uitrusting te voorkomen, overtuig u ervan dat alle in het hydraulische systeem opgenomen componenten de toelaatbare druk van 700 bar kunnen weerstaan.



BELANGRIJK: Neem manometers op in uw hydraulisch systeem om nauwkeurig de druk (kracht) af te kunnen lezen. Een manometer is uw venster van het systeem. Hierdoor ziet u wat er gaande is.



WAARSCHUWING: Bescherm alle systeemcomponenten tegen beschadigingen door extreme hitte, bewegende machinedelen, scherpe voorwerpen en agressieve chemicaliën.



VOORZICHTIG: Vermijdt scherpe bochten en knikken in hydraulische slangen ter voorkoming van inwendige beschadiging. De buigradius moet tenminste 115 mm bedragen. Ga niet met zware voorwerpen over de slangen heen en laat deze er niet op vallen.



WAARSCHUWING: Houd onder druk staande hydraulische slangen nooit met de hand vast. Onder druk ontsnappende olie kan de huid binnendringen en

ernstig lichamelijk letsel veroorzaken. Raadpleeg onmiddellijk een arts als er olie onder de huid binnendringt.



WAARSCHUWING: Draag altijd uw veiligheidsuitrusting bij het gebruik van hydraulische apparatuur om persoonlijk letsel te voorkomen.



WAARSCHUWING: Voorkom persoonlijk letsel en schade. Gebruik dit gereedschap nooit in situaties waarbij een plotselinge drukval instabiliteit veroorzaakt.



WAARSCHUWING: Ga niet boven de aangegeven limiet, werkdruk of capaciteit uit. Overbelasting leidt tot schade en uitval van apparatuur en kans op lichamelijk letsel. Kies het juiste formaat gereedschap.



BELANGRIJK: Indien u met de maximale hydraulische druk of maximale trekkracht het onderdeel niet los krijgt, pas dan een trekker toe met een grotere capaciteit. Vermijd warmstoken of losslaan van onderdelen.



BELANGRIJK: Het is onmogelijk de exacte kracht te voorspellen benodigd om onderdelen te monteren of demonteren. De grootte van de benodigde kracht kan enorm verschillen tussen perspassingen en krimpverbindingen. De keuze van het juiste gereedschap hangt af van de trekkertoepassing, afmetingen, vorm en conditie van de te monteren of demonteren onderdelen. Bestudeer elke situatie afzonderlijk voordat u de keuze maakt.



BELANGRIJK: Bouw druk- of trekkracht gelijkmatig op. Trekstangen en trekarmen moeten in één lijn liggen. Overtuig u ervan dat de trekkeropstelling stabiel en solide is; en dat het trekker gereedschap in lijn ligt met de as van het werkstuk.



WAARSCHUWING: Vervang versleten of beschadigde onderdelen onmiddellijk door originele Enerpac onderdelen. Onderdelen van een standaard kwaliteit kunnen breken en letsel en schade veroorzaken. Alleen originele Enerpac onderdelen passen precies en zijn in staat de hoge krachten te weerstaan.

4.0 SAMENSTELLING EN OPBOUW

4.1 Trekkersets

Op bladzijde 6 geeft illustratie 5 aan hoe dit gereedschap wordt samengesteld. De nummers in illustratie 5 komen overeen met de nummers vermeldt in tabel A op bladzijde 7.

4.2 Brugstuk-lagertrekkers

Illustratie 6 op bladzijde 8 geeft aan hoe dit gereedschap wordt samengesteld. De nummers in illustr. 6 komen overeen met de nummers in tabel B op bladzijde 9.

4.3 Inwendige lagertrekkers

Illustratie 7 op bladzijde 8 geeft aan hoe deze trekkers worden samengesteld. De nummers in illustr. 7 komen overeen met de nummers in tabel B op bladzijde 9.

5.0 IN BEDRIJFSTELLEN



BELANGRIJK: Overtuig u ervan dat iedere gebruiker volledig begrip heeft van alle instructies, veiligheidsvoorschriften, waarschuwingen en de werking van deze apparatuur om onjuist gebruik te voorkomen. Raadpleeg uw leverancier indien u twijfelt omtrent juist gebruik, de toepassing en (plaatselijke) voorschriften.

5.1 Gebruik van pomp en cilinder

Iedere BHP-trekkerset is voorzien van een enkelwerkende, veerretour cilinder en een handpomp (m.u.v de sets met hulpstukken). Raadpleeg de bij de pomp en cilinder meegeleverde handleiding voor het juiste gebruik en de toepassingen.

Handpompen voor het bedienen van enkelwerkende cilinders zijn voorzien van een kraantje (ontlastklep). Sluit het kraantje en beweeg de pompstang op en neer om de plunjer uit te sturen. Open het kraantje op de pomp om de plunjer in te sturen. De retourveer in de enkelwerkende cilinder trekt de plunjer in.

5.2 Ontluchten van het systeem

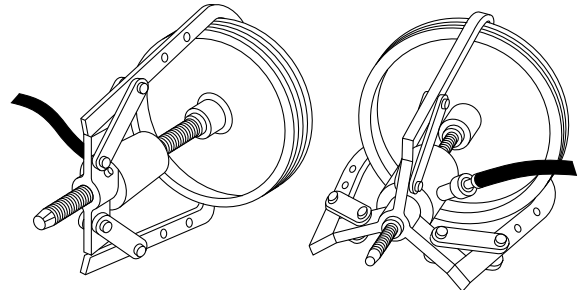
Stuur de plunjer enkele malen in en uit zonder druk op te bouwen. Het hydraulisch systeem is ontlucht zodra de plunjer een gelijkmatige beweging maakt.

5.3 Het gebruik van trekarmen

Bouw uw toepassing op zoals afgebeeld in illustr. 1 hieronder en illustr. 5 op bladzijde 6. Gebruik bij voorkeur het 3-armige juk (3 trekarmen) omdat deze een betere grip, een gelijkmatigere krachtverdeling en stabiel is dan het 2-armige juk. Indien u het 2-armige juk gebruikt mag u de trekker slechts tot 50% van de maximum capaciteit belasten. Overtuig u

ervan dat de draadstang en trekarmen in één lijn liggen met de as van het werkstuk. Begin met pompen en bouw de hydraulische druk gelijkmatig op om het machine-onderdeel te verwijderen.

illustratie 1 - gebruik van trekarmen



Lostrekken van een riemschijf met behulp van 2 trekarmen (2-armige juk)

Lostrekken van een riemschijf met behulp van 3 trekarmen (3-armige juk)

Belasting tot max. 50%

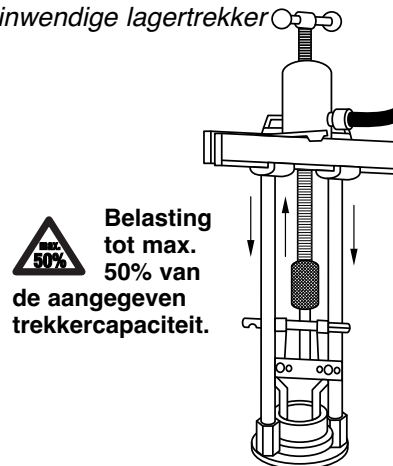


van de aangegeven trekker-capaciteit.

5.4 Het gebruik van inwendige lagertrekkers

Bouw uw toepassing op volgens illustratie 2 hierboven en illustratie 7 op bladzijde 8. Draadstang, trekstangen en trekarmen moeten in één lijn liggen met de as van het werkstuk. Begin met pompen en bouw de hydraulische druk gelijkmatig op om het machine-onderdeel te verwijderen.

illustratie 2 - toepassing van brugstuk met inwendige lagertrekker



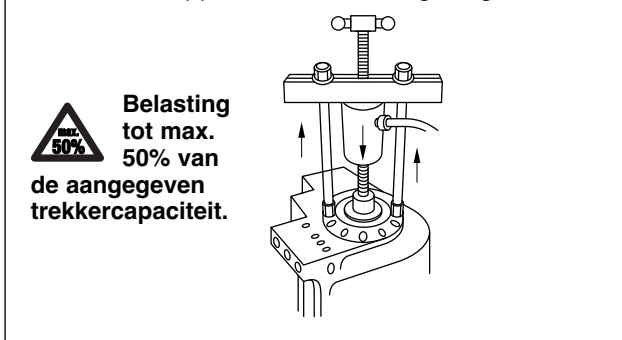
Belasting tot max. 50% van de aangegeven trekker-capaciteit.

5.5 Het gebruik van brugstuk-lagertrekkers

Lostrekken: De cilinder moet hierbij boven het brugstuk geplaatst worden. De draadstang en trekstangen uitlijnen. Begin met pompen en bouw de hydraulische druk gelijkmatig op om het machine-onderdeel te verwijderen.

Oppersen: Bouw het geheel op volgens illustratie 3. De cilinder moet in dit geval onder het brugstuk gemonteerd worden. De draadstang en trekstangen uitlijnen. Begin met pompen en bouw de hydraulische druk gelijkmatig op om het machine-onderdeel te verwijderen.

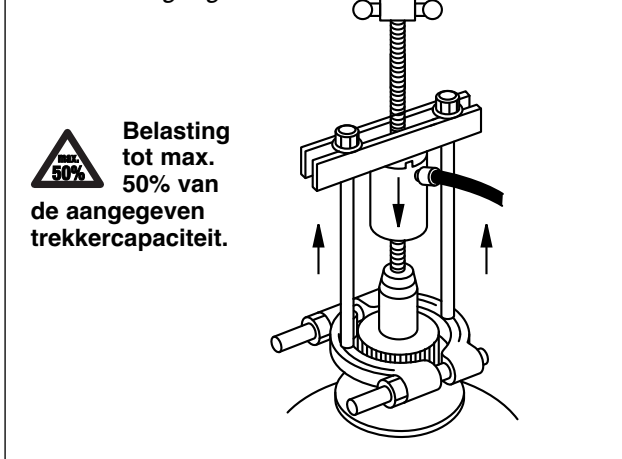
illustratie 3 - Oppersen met 2-armig brugstuk



5.6 Het gebruik van uitwendige lagertrekkers

De uitwendige lagertrekker wordt gebruikt in combinatie met een brugstuk-lagertrekker zoals afgebeeld in de illustraties 4 en 6.

illustratie 4 - 2-armig brugstuk in combinatie met een uitwendig lagertrekker



6.0 ONDERHOUD EN SERVICE

Onderhoud is noodzakelijk indien lekkage of slijtage zich voordoet. Inspecteer regelmatig de conditie van alle onderdelen om te bepalen of onderhoud en service nodig is. Kant en klare reparatie sets zijn beschikbaar voor snelle uitwisseling van versleten of beschadigde onderdelen.



BELANGRIJK: Alleen gekwalificeerde hydraulische technici zijn bevoegd onderhoud en reparaties uit te voeren. Neem hiervoor contact op met uw Enerpac leverancier.

- Controleer regelmatig de conditie van alle componenten in het hydraulische systeem op slijtage of beschadigingen. Vervang beschadigde componenten.
- Voorkom oververhitting van uw hydraulisch systeem. De hydraulische olie mag niet warmer worden dan 60°C.
- Houd uw hydraulisch systeem en componenten schoon.
- Houd het trekker gereedschap schoon en in goede conditie. Vet regelmatig draadstangen en trekstangen in. Dit bevordert een goede werking en een lange levensduur.
- Controleer regelmatig of koppelingen en fittingen nog goed bevestigd zijn. Slecht vastgedraaide koppelingen en fittingen kunnen lekkage veroorzaken.
- Ververs hydraulische olie in uw systeem als beschreven in de handleiding van de pomp.

EIS 65.100-1 08/16 Rev. G

1.0 ВАЖНАЯ ИНФОРМАЦИЯ ОТНОСИТЕЛЬНО ДОСТАВКИ

Визуально осмотрите все компоненты на предмет повреждения при доставке. На повреждения, полученные при транспортировке, гарантия не распространяется. При обнаружении таких повреждений незамедлительно известите о них перевозчика. Перевозчик несет финансовую ответственность за все работы по ремонту, а также за замену поврежденного при транспортировке товара.

БЕЗОПАСНОСТЬ – ПРЕЖДЕ ВСЕГО!

Внимательно прочтите все инструкции, замечания и предупреждения. Неукоснительно соблюдайте все меры безопасности во избежание травм и повреждения имущества при работе оборудования. Компания Енеграс не несет ответственности за порчу имущества или травмы, произошедшие вследствие несоблюдения требований техники безопасности при эксплуатации продукции Енеграс, неправильного технического обслуживания или ненадлежащей эксплуатации изделия или системы. При возникновении любых неясностей относительно эксплуатации оборудования Енеграс или требований техники безопасности свяжитесь со специалистами компании Енеграс. **ЧТОБЫ СОХРАНИТЬ ПРАВО НА ГАРАНТИЮ, ИСПОЛЬЗУЙТЕ ТОЛЬКО ГИДРАВЛИЧЕСКОЕ МАСЛО ENERPAC.**

2.0 ОПИСАНИЕ ПРОДУКЦИИ

Комплекты съемников Енеграс серии ВНР состоят из ручного насоса, цилиндра одностороннего действия, манометра, адаптер, шланга, соединителей и специальных инструментов и насадок. Съемники предназначены для монтажа и демонтажа любых деталей, установленных прессовой или горячей посадкой, а именно шестерен, шкивов, колес, подшипников, втулок, звездочек, штифтов и иных трудноснимаемых деталей.

Имеющиеся в ассортименте комплекты съемников Енеграс серии ВНР: Комплекты зажимных съемников (см. параграф 2.1), комплекты съемников-хомутов (см. параграф 2.2) и универсальные комплекты съемников (см. параграф 2.3).

Принадлежности для комплекта съемников - это дополнительные компоненты, повышающие универсальность зажимных съемников и съемников-хомутов. Перечни принадлежностей для комплектов съемников приведены в таблицах D и E (стр. 11, 12).

2.1 КОМПЛЕКТЫ ЗАЖИМНЫХ СЪЕМНИКОВ

Комплекты зажимных съемников ВНР-152, ВНР-251G, ВНР-351G и ВНР-551G могут использоваться для демонтажа и установки шестерен, подшипников, шкивов и других подобных компонентов. См. рис. 1 (стр. 35): зажимные съемники могут быть как двухзахватными (с 2 лапами), так и трехзахватными (с 3 лапами). Компоненты съемников представлены в таблице А (стр. 7).

2.2 КОМПЛЕКТЫ СЪЕМНИКОВ-ХОМУТОВ

Комплекты съемников-хомутов ВНР-162, ВНР-261G, ВНР-361G и ВНР-561G можно использовать для демонтажа и установки шестерен, шкивов, втулок и фитингов. Эти съемники можно также использовать в качестве съемников для снятия наружных обойм подшипников (съемников с внутренним захватом), как показано на рис. 2 (стр. 35), а также в качестве съемников для подшипников, как показано на рис. 3 (стр. 35).

В ситуациях, когда размер зазора не позволяет непосредственно зацепить за деталь лапы захвата зажимного съемника, можно использовать этот съемник в комбинации с насадкой съемника для подшипников, как показано на рис. 4 (стр. 36). Насадка съемника для подшипников имеет клиновидные края, позволяющие использовать ее для снятия самых труднодоступных шестерен и подшипников. Перечень компонентов приведен в таблице В (стр. 9)

2.3 УНИВЕРСАЛЬНЫЕ КОМПЛЕКТЫ СЪЕМНИКОВ

Универсальные комплекты съемников ВНР-1752, ВНР-2751G, ВНР-3751G и ВНР-5751G представляют собой комбинацию упомянутых выше комплектов зажимных съемников и комплектов съемников-хомутов. Они обеспечивают максимально возможную универсальность для операций, где необходимо тянущее и толкающее усилие в ходе работ по техническому обслуживанию и ремонту. Перечень компонентов приведен в таблице С (стр. 10).

3.0 ОСНОВНЫЕ ПОЛОЖЕНИЯ ТЕХНИКИ БЕЗОПАСНОСТИ

Несоблюдение приведенных ниже требований и предупреждений может повлечь за собой повреждение оборудования и/или травмирование персонала.



ВНИМАНИЕ! НЕ превышайте 50% номинального усилия двухзахватного съемника (с 2 лапами): не превышайте усилия 350 бар (5 000 psi) при использовании гидравлического съемника в такой конфигурации.



ВНИМАНИЕ! Не превышайте 50% запаса прочности съемника при использовании траверсы поперечины или лапок съемника со съемником для подшипников. НЕ превышайте усилия 350 бар (5 000 psi) при использовании гидравлического съемника в такой конфигурации.



ВАЖНО! Рекомендуется использовать трехзахватный съемник (с 3 лапами), который обеспечивает более надежный захват, более плавное приложение усилия и более высокую устойчивость, чем двухзахватный (с 2 лапами).



ВНИМАНИЕ! Во избежание травмирования персонала и повреждения оборудования строго следите за тем, чтобы все гидравлические компоненты были рассчитаны на максимальное гидравлическое давление не менее 700 бар (10 000 psi).



ВАЖНО! Для обеспечения безопасных рабочих нагрузок обязательно используйте в каждой гидравлической системе гидравлический манометр.



ВНИМАНИЕ! Следите за тем, чтобы все компоненты системы были защищены от воздействия внешних повреждающих факторов - чрезмерного нагрева, воздействия пламени, движущихся частей механизмов, острых краев и агрессивных химических веществ.



ОСТОРОЖНО! Следите за тем, чтобы в системе не было резких перегибов и петель, поскольку они могут приводить к большому противодействию в шлангах. Перегибы и петли являются причиной преждевременного выхода шлангов из строя.



ВНИМАНИЕ! НЕ трогайте шланги, находящиеся под давлением. Струя масла из шланга под давлением способна проникать через кожу и может вызвать серьезные травмы. Если под кожу попало масло, немедленно обратитесь к врачу.



ВНИМАНИЕ! Оператор должен принять необходимые меры для предотвращения травм от разлетающихся обломков в случае выхода из строя инструмента или повреждения объекта работ.



ВНИМАНИЕ! НЕ используйте данное оборудование в условиях, когда резкое падение давления может привести к потере устойчивости и вызвать повреждение оборудования или травмы персонала.



ВНИМАНИЕ! НЕ допускайте работы инструмента в режиме перегрузки. Всегда выбирайте съемник подходящего размера. Если при приложении максимально допустимого усилия деталь не удастся сдвинуть, возьмите съемник с большим рабочим усилием. Примите меры к предотвращению соскальзывания.



ВАЖНО! Какое именно усилие потребуется в каждой конкретной ситуации, заранее предсказать невозможно. Плотность посадки детали и усилие, требуемое для ее демонтажа, могут очень сильно различаться в различных приложениях. Необходимо принимать во внимание как конкретные условия работы, так и размер, форму и состояние снимаемых деталей. Чтобы правильно выбрать съемник, внимательно изучите условия выполнения конкретной работы.



ВАЖНО! Увеличивайте усилие постепенно. Тщательно выравнивайте опоры съемника и лапы захвата. Убедитесь в жесткости конструкции и правильности выбора съемника для конкретной работы.



ENERPAC ВНИМАНИЕ! Незамедлительно заменяйте изношенные или поврежденные детали оборудования Enerpac фирменными запасными частями Enerpac. Фирменные запасные части Enerpac идеально подходят для выполнения своей функции и способны выдерживать требуемые рабочие нагрузки.

4.0 УСТАНОВКА

4.1 Зажимные съемники

На рис. 5 (стр. 6) показано, как выполнить сборку зажимного съемника. Номера на рис. 5 соответствуют номерам деталей в таблице А на стр. 7.

4.2 Съемники-хомуты

На рис. 6 (стр. 8) показано, как выполнить сборку съемника-хомута. Номера на рис. 6 соответствуют номерам деталей в таблице В на стр. 9.

4.3 Съемники с внутренним захватом

На рис. 7 (стр. 8) показано, как выполнить сборку съемника с внутренним захватом. Номера на рис. 7 соответствуют номерам деталей в таблице В на стр. 9.

5.0 РАБОТА



ВАЖНО! Абсолютно необходимо, чтобы оператор полностью усвоил все инструкции, правила техники безопасности, предупреждения и предостережения. Лишь после этого оператор может быть допущен к работе с рассматриваемыми здесь мощными инструментами. В случае возникновения каких-либо неясностей свяжитесь со специалистами компании Enerpac.

5.1 Выдвижение и втягивание цилиндра

Во все комплекты съемников серии ВНР входят цилиндр одностороннего действия с возвратной пружиной и ручной насос. К каждому насосу и цилиндру прилагается подробная инструкция по эксплуатации.

Ручные насосы для управления работой цилиндров одностороннего действия снабжены предохранительным клапаном для сброса давления. Для выдвижения цилиндра закройте предохранительный клапан и поднимите, а затем опустите рукоятку насоса. Для втягивания цилиндра откройте предохранительный клапан.

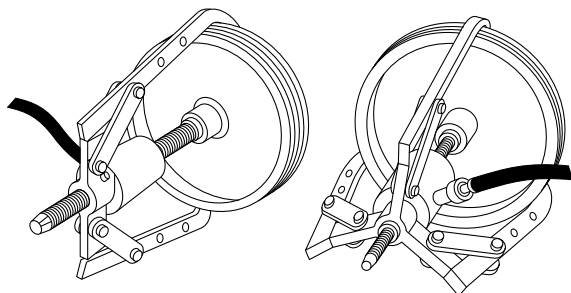
5.2 Удаление воздуха

Для удаления воздуха выдвиньте и втяните цилиндр несколько раз. Когда движение цилиндра станет плавным, это будет означать, что воздух полностью удален.

5.3 Использование зажимных съемников

Соберите инструмент, как показано на рис. 1 ниже на этой странице и на рис. 5 на стр. 6. Помните, что трехзахватный зажимной съемник обеспечивает более устойчивый и надежный захват, а также более плавное приложение усилия, чем двухзахватный зажимной съемник. Не превышайте 50% номинального усилия съемника при использовании захвата с двумя лапами. С помощью насоса прикладывайте постепенно увеличивающееся гидравлическое усилие к снимаемой детали вплоть до ее снятия.

Рис. 1. Зажимные съемники



Снятие шкива с использованием двухзахватного зажимного съемника

Снятие шкива с использованием трехзахватного зажимного съемника



Не превышайте 50% номинального усилия съемника

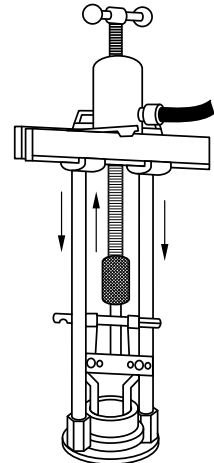
5.4 Использование съемников для обойм подшипников

Соберите инструмент, как показано на рис. 2, используя съемник с внутренним захватом. См. также рис. 7 (стр. 8). Установите стойки и лапы съемника и постепенно поднимайте гидравлическое давление, прикладывая увеличивающееся усилие к снимаемой детали вплоть до ее снятия.

Рис. 2. Съемник-хомут с насадкой для демонтажа наружных обойм подшипников



Не превышайте 50% номинального усилия съемника.



5.5 Использование съемников-хомутов

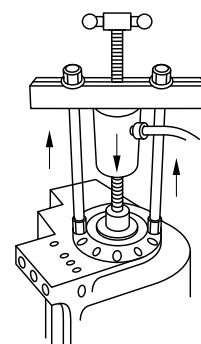
В режиме тянущего действия: Цилиндр необходимо установить над траверсой с прорезью. Установите стойки и регулировочный винт съемника и постепенно поднимайте гидравлическое давление, прикладывая увеличивающееся усилие к снимаемой детали вплоть до ее снятия.

В режиме толкающего действия: Соберите инструмент как показано на рис. 3. Обратите внимание, что цилиндр необходимо установить под траверсой с прорезью. Установите стойки и регулировочный винт съемника и постепенно поднимайте гидравлическое давление, прикладывая увеличивающееся усилие к снимаемой детали вплоть до ее снятия.

Рис. 3. Работа съемника-хомута в режиме тянущего действия



Не превышайте 50% номинального усилия съемника



5.6 Использование насадки для снятия подшипников

Насадку для снятия подшипников можно использовать со съемником-хомутом, представленным на рис. 4 ниже и на рис. 6 на стр. 8.



6.0 ТЕХНИЧЕСКОЕ ОБСЛУЖИВАНИЕ И РЕМОНТ

При обнаружении износа оборудования или утечки требуется проведение технического обслуживания. Периодически осматривайте все компоненты, чтобы вовремя обнаружить неисправность, требующую проведения технического обслуживания или ремонта. Enerpac предлагает готовые наборы запасных частей для ремонта и/или замены. Обратитесь в компанию Enerpac.



ВАЖНО! Обслуживание гидравлического оборудования должно выполняться только квалифицированным специалистом по гидравлическому оборудованию. Для получения услуг по ремонту обратитесь в местный Enerpac Authorised Service Center.

- Периодически осматривайте все компоненты, чтобы вовремя обнаруживать неисправности, требующие проведения ремонта или технического обслуживания. Незамедлительно заменяйте поврежденные детали.
- Не допускайте нагрева масла выше 60°C (140°F).
- Следите за чистотой всех гидравлических компонентов.
- Содержите съемники в хорошем техническом состоянии. Регулярно выполняйте чистку и смазку регулировочного винта и опор съемника по всей длине для поддержания их в рабочем состоянии и продления срока службы.
- Регулярно проверяйте гидравлическую систему на предмет надежности соединений и отсутствие утечек.
- Заменяйте гидравлическое масло в системе в соответствии с рекомендациями, приведенными в инструкции по эксплуатации насоса.



POWERFUL SOLUTIONS. GLOBAL FORCE.

Enerpac Worldwide Locations ◆ **e-mail:** info@enerpac.com ◆ **internet:** www.enerpac.com

Australia and New Zealand

Actuant Australia Ltd.
P.O. Box 6867, Wetherill Park, NSW 1851
Block V Unit 3, Regents Park Estate
391 Park Road, Regents Park NSW 2143
Australia
T +61 287 177 200
F +61 297 438 648
sales-au@enerpac.com

Brazil

Power Packer do Brasil Ltda.
Rua Luiz Lawrie Reid, 548
09930-760 - Diadema (SP) - Brazil
T +55 11 5687 2211
Toll Free: 0800 891 5770
vendasbrasil@enerpac.com

China (Taicang)

Actuant (China) Industries Co. Ltd.
No.6 Nanjing East Road,
Taicang Economic Dep Zone
Jiangsu, China
T +86 0512 5328 7500
F +86 0512 5335 9690
Toll Free: +86 400 885 0369
sales-cn@enerpac.com

France, Switzerland, North Africa and French speaking African countries

ENERPAC
Une division d'Actuant France S.A.S.
Zone Orlytech Bâtiment 516
1 allée du commandant Mouchotte
CS 40351
91550 Paray-Vieille-Poste
France
T +33 1 60 13 68 68
F +33 1 69 20 37 50
sales-fr@enerpac.com

Germany and Austria

Actuant GmbH
P.O. Box 300113
D-40401 Düsseldorf
Willstätterstrasse 13
D-40549 Düsseldorf, Germany
T +49 211 471 490
F +49 211 471 49 28
sales-de@enerpac.com

India

Actuant India Private Limited
No. 10, Bellary Road, Sadashivanagar,
Bangalore, Karnataka 560 080
India
T +91 80 3928 9000
info@enerpac.co.in

Italy

ENERPAC S.p.A.
Via Canova 4
20094 Corsico (Milano)
T +39 02 4861 111
F +39 02 4860 1288
sales-it@enerpac.com

Japan

Applied Power Japan LTD KK
Besshocho 85-7
Kita-ku, Saitama-shi 331-0821, Japan
T +81 48 662 4911
F +81 48 662 4955
sales-jp@enerpac.com

Middle East, Egypt and Libya

ENERPAC Middle East FZE
Office 423, LOB 15
P.O. Box 18004, Jebel Ali, Dubai
United Arab Emirates
T +971 (0)4 8872686
F +971 (0)4 8872687
sales-ua@enerpac.com

Norway

Sales Office Norway
Unit 524, Nydalsveien 28, 0484 Oslo
P.O. Box 4814, Nydalen 0422 Oslo
Norway
Tel: +47 91 578 300
insidesalesnorway@enerpac.com

Russia

Rep. office Enerpac
Russian Federation
Admirala Makarova Street 8
125212 Moscow, Russia
T +7 495 98090 91
F +7 495 98090 92
sales-ru@enerpac.com

Southeast Asia, Hong Kong and Taiwan

Actuant Asia Pte Ltd.
83 Joo Koon Circle
Singapore 629109
T +65 68 63 0611
F +65 64 84 5669
Toll Free: +1800 363 7722
sales-sg@enerpac.com

South Korea

Actuant Korea Ltd.
3Ba 717, Shihwa Industrial Complex
Jungwang-Dong, Shihung-Shi,
Kyunggi-Do
Republic of Korea 429-450
T +82 31 434 4506
F +82 31 434 4507
sales-kr@enerpac.com

Spain and Portugal

ENERPAC SPAIN, S.L.
Avda. Valdelaparra N° 27 3ª - L8
28108 Alcobendas (Madrid), Spain
T +34 91 884 86 06
F +34 91 884 86 11
sales-es@enerpac.com

Sweden, Denmark

Finland and Iceland
Enerpac Scandinavia AB
Kopparlundsvägen 14,
721 30 Västerås
Sweden
T +46 (0) 771 41 50 00
scandinavianinquiries@enerpac.com

The Netherlands, Belgium, Luxembourg, Central and Eastern Europe, Baltic States, Greece, Turkey and CIS countries

ENERPAC B.V.
Galvanistraat 115, 6716 AE Ede
P.O. Box 8097, 6710 AB Ede
The Netherlands
T +31 318 535 911
F +31 318 535 848
sales-nl@enerpac.com

Enerpac Integrated Solutions B.V.

Spinelstraat 15, 7554 TS Hengelo
P.O. Box 421, 7550 AK Hengelo
The Netherlands
T +31 74 242 20 45
F +31 74 243 03 38
integratedsolutions@enerpac.com

South Africa and other English speaking African countries

Enerpac Africa Pty Ltd.
No. 5 Bauhinia Avenue
Cambridge Office Park
Block E
Highveld Techno Park
Centurion 0157
Republic of South Africa
T: +27 12 940 0656
sales-za@enerpac.com

United Kingdom and Ireland

ENERPAC UK Ltd.
5 Coopies Field
Morpeth, Northumberland
NE61 6JR, England
T +44 1670 5010 00
sales-uk@enerpac.com

USA, Latin America and Caribbean

ENERPAC World Headquarters +27 12
P.O. Box 3241
Milwaukee WI 53201-3241 USA
N86 W12500 Westbrook Crossing
Menomonee Falls, Wisconsin 53051
T +1 262 293 1600
F +1 262 293 7036
User inquiries:
T +1 800 433 2766
Distributor inquiries/orders:
T +1 800 558 0530
F +1 800 628 0490
Technical inquiries:
techservices@enerpac.com
sales-us@enerpac.com

All Enerpac products are guaranteed against defects in workmanship and materials for as long as you own them.

For the location of your nearest authorized Enerpac Service Center, visit us at www.enerpac.com

053116