



FLANGE TOOL INNOVATION

# PRODUCT DATA SHEET

## SWi20/25TEEX

INNOVATIVE EXTERNAL  
HYDRAULIC FLANGE  
SPREADING WEDGE

II 2G ck IIB T5/II 2D ck T100 °C

### SPREADING FORCE:

20 T (200 kN) 1st step

24 T (240 kN) 4th step

### SPREADING DISTANCE:

6.0 mm - 103.5 mm (0.24" - 4.1")

WEIGHT: 6.4 kg (14.1 lb)

### CAPABILITIES

At 700 bar (10 000 psi):  
20 T spread force (1st step)  
24 T spread force (4th step)

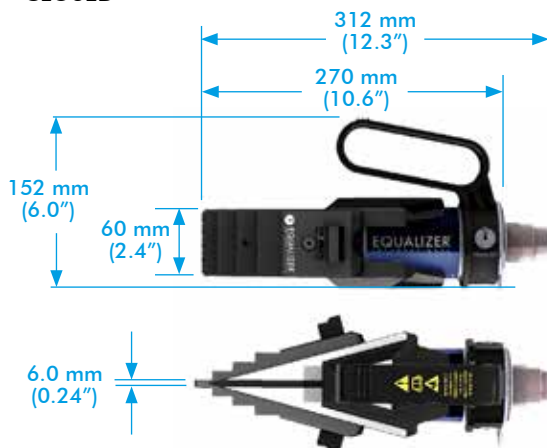
6.0 mm – 87.5 mm  
(0.24" - 3.4") spread over 4 steps  
(without stepped blocks)

48.5 mm – 103.5 mm  
(1.9" - 4.1") spread over 2 steps  
(with stepped blocks)

6.0 mm – 40.0 mm  
(0.24" - 1.6") spread  
using only 1st step



### TOOL DIMENSIONS - CLOSED



### USER FEATURES

- Certified for use in the hazardous areas:  
II 2G ck IIB T5/II 2D ck T100 °C
- Practical, portable and lightweight
- Moulded plastic handle for comfort
- Revolving handle to aid horizontal or vertical spreading
- Offset handle is directly over the centre of mass
- Removable handle for improved access
- Revolving lanyard connection point
- Swivel hose coupler with elbow – improves access by allowing hose to revolve
- Spread indicator markings for clear precise visual progress feedback

### SAFETY FEATURES

- No finger pinch-points
- Increased step depth on upper steps
- Safety lanyard – 1.0 m (39") length
- Partially recessed coupler reduces coupler vulnerability
- Forged key components for strength and reliability
- Fail-safe design – designated cylinder nose seal failure

### MAINTENANCE FEATURES

- Rapid disassembly and assembly
- Quick jaw replacement – remove 1 fastener
- Quick tip replacement – remove 2 fasteners
- Narrow jaw teeth – improved tool wear



Hi-Press Hydraulics Ltd  
Riverside Works,  
Forge Road, Whaley Bridge,  
High Peak, SK23 7HY  
T: 01663 735089  
Sales@hi-press.co.uk

Hi-Press Hydraulics Ltd  
Unit 2, Hall House Ind Est,  
New Hutton, Kendal,  
Cumbria, LA8 0AH  
T: 01539 734005  
Cumbria@hi-press.co.uk

[www.hi-press.co.uk](http://www.hi-press.co.uk)

[www.hi-press.co.uk/equalizer](http://www.hi-press.co.uk/equalizer)

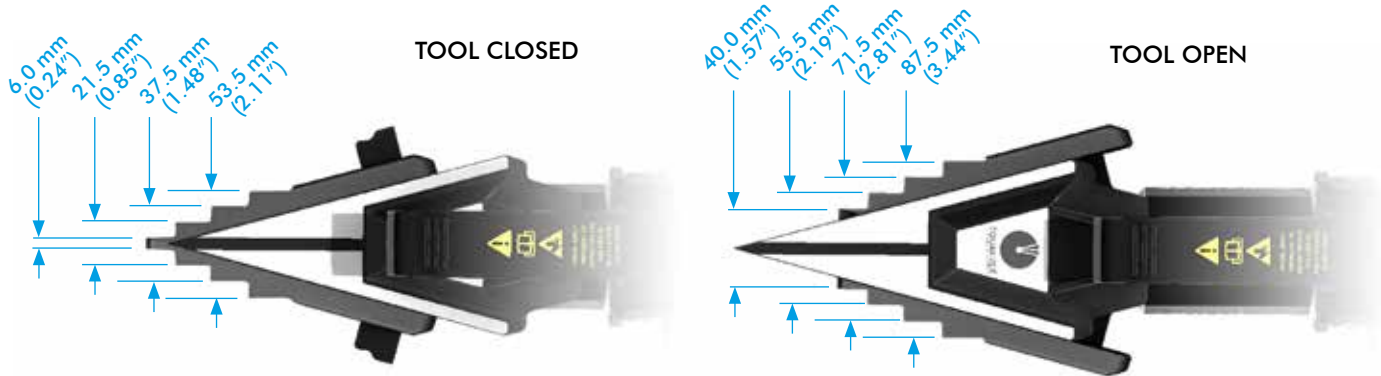
# SWi20/25TEEX

INNOVATIVE EXTERNAL HYDRAULIC  
FLANGE SPREADING WEDGE

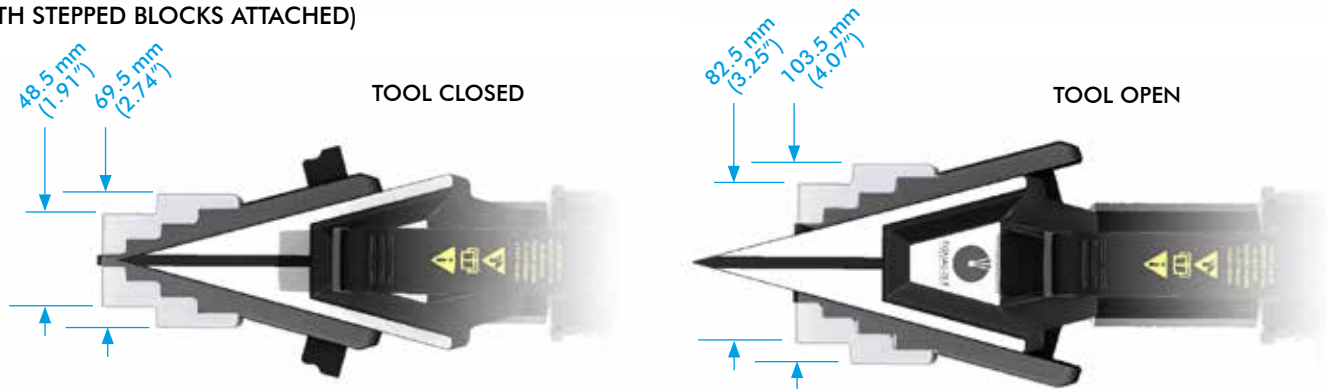


FLANGE TOOL INNOVATION

## JAW DIMENSIONS (WITHOUT STEPPED BLOCKS ATTACHED)



## JAW DIMENSIONS (WITH STEPPED BLOCKS ATTACHED)



### MAXI KIT

- 2 x SWi20/25TEEX Flange Spreader Wedgeheads
- 2 x 700 bar (10 000 psi) Hydraulic Cylinders
- 2 x 700 bar (10 000 psi) ATEX Hydraulic Hoses, 2 m (78.8") with 90 degree elbow
- 1 x 700 bar (10 000 psi) HP550DMINEX Sealed Hand Pump with Gauges
- 2 x Sets of Safety Blocks
- 2 x Pairs of Stepped Blocks
- 2 x Hex Keys
- 2 x Safety Lanyards
- 1 x Instruction Manual
- 1 x Carry Case

Product Code: SWi2025TEMAXEX  
Carry Case Dimensions:  
930mm x 600mm x 180mm (36.6" x 23.6" x 7.1")  
Gross kit Weight: 38.8 kg (85.5 lb)



### STANDARD KIT

- 1 x SWi20/25TEEX Flange Spreader Wedgehead
- 1 x 700 bar (10 000 psi) Hydraulic Cylinder
- 1 x 700 bar (10 000 psi) ATEX Hydraulic Hose, 2 m (78.8") with 90 degree elbow
- 1 x 700 bar (10 000 psi) HP350SMINEX Sealed Hand Pump with Gauge
- 1 x Set of Safety Blocks
- 1 x Pair of Stepped Blocks
- 1 x Hex Key
- 1 x Lanyard
- 1 x Instruction Manual
- 1 x Carry Case

Product Code: SWi2025TESTDEX  
Carry Case Dimensions:  
680mm x 560mm x 180mm (26.8" x 22.0" x 7.1")  
Gross kit Weight: 27.5 kg (60.5 lb)



### MINI KIT

- 1 x SWi20/25TEEX Flange Spreader Wedgehead
- 1 x 700 bar (10 000 psi) Hydraulic Cylinder
- 1 x Set of Safety Blocks
- 1 x Pair of Stepped Blocks
- 1 x Hex Key
- 1 x Lanyard
- 1 x Instruction Manual
- 1 x Carry Case

Product Code: SWi2025TEMINEX  
Carry Case Dimensions:  
580mm x 400mm x 180mm (22.8" x 15.7" x 7.1")  
Gross kit Weight: 15.0 kg (33.0 lb)



Hi-Press Hydraulics Ltd  
Riverside Works,  
Forge Road, Whaley Bridge,  
High Peak, SK23 7HY  
T: 01663 735089  
Sales@hi-press.co.uk

Hi-Press Hydraulics Ltd  
Unit 2, Hall House Ind Est,  
New Hutton, Kendal,  
Cumbria, LA8 0AH  
T: 01539 734005  
Cumbria@hi-press.co.uk

[www.hi-press.co.uk](http://www.hi-press.co.uk)

[www.hi-press.co.uk/equalizer](http://www.hi-press.co.uk/equalizer)